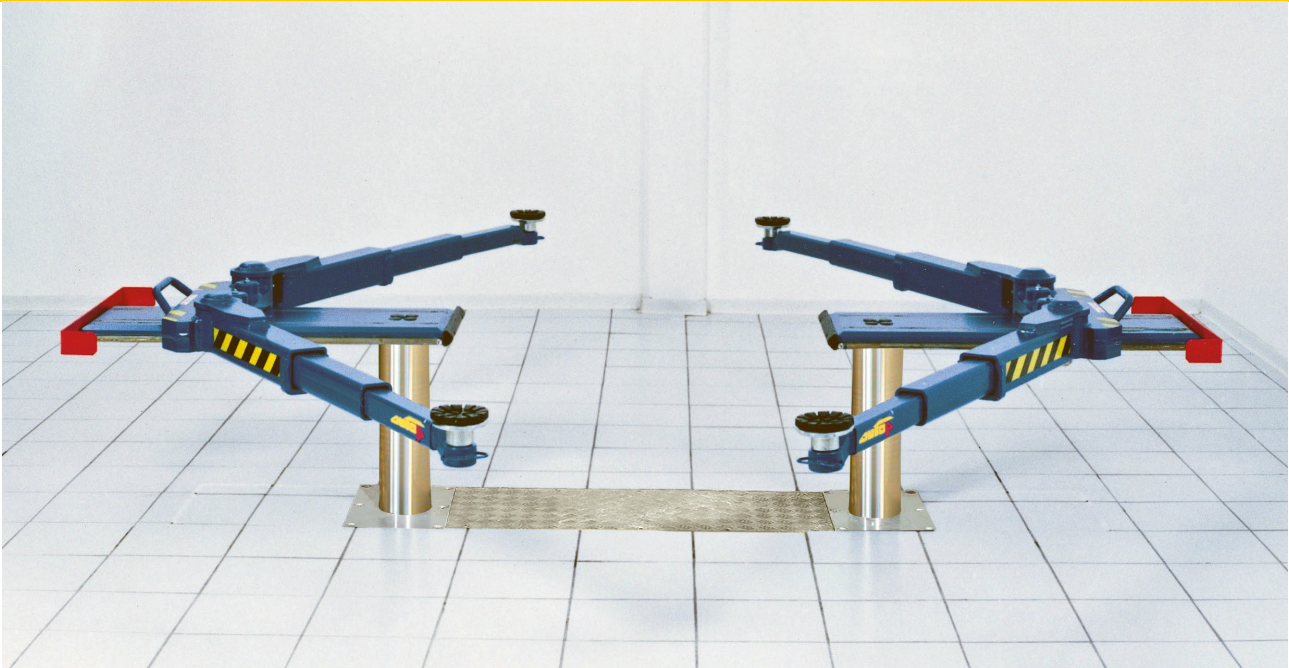


autop Masterlift 2.35 Saav 135 Van



OPERATIVE RANGE:

Repair and maintenance



PARTICULAR FEATURES:

Swivel arm lift with extensive lifting area for all private vehicles - from a city car to transporters.

APPLICATION

The swivel arm lift Masterlift „Van“ has been developed to lift up a very large range of private cars as well as off-roaders, great volume cars and light goods vehicles.

These swivel arm bridges can be easily exchanged with the classic repair platforms. In this way you are able to follow even particular modifications of the service business within your workshop. Individual lifting pads allow a safe lifting of the different vehicles.

autop products are offering high quality and a long economic life-time. A highlight for all areas of a dealership is the inground program. No other offers such a lot of advantages:

- optimal workplaces on a minimum of space
- maximum of utilisation of space
- perfect lifting of all vehicles
- clean and clearly arranged workshop area
- easy drive-on, even if there 's just a little space available
- free access all around the vehicle
- easy to clean
- etc.



Upwards with security!

autop Maschinenbau GmbH * Sandkampstraße 90 * D-48432 Rheine
Tel. +49 (0)5971/8602-02 * Fax +49 (0)5971/860225 * E-Mail: mail@autop.de * www.autop.de



autop Masterlift 2.35 Saav 135 Van

TECHNICAL DATA:

Lifting capacity:	3,500	kg
Piston distance:	1,335	mm
Stroke length:	1,950	mm
Lifting height:	2,045 – 2,370	mm
Standard pads:	2,045 – 2,085	mm
Lifting/lowering time:	approx 30	sec.
Cylinder diameter:	1 x 123	mm
Foundation depth:	2,615	mm
Voltage:	230/400 V	
	50	Hz
	16	A
Pump unit:	3.0	kW

COMPONENTS:

- Two hydraulic cylinders made of micro-alloyed high grade steel with hard-chrome plated surface; of cylinder and piston, cylinder running on teflon sliding rings.
- Bearing guide elements made of high quality special alloy, wear resisting.
- SPS-control unit: lifting height individually adjustable
- Flexible traverse cross arm, effective as synchronising/safety device as well as torsional lock.
- Pump unit integrated in the cassette.
- Push button control for lifting/lowering with lockable key switch/main switch and alarm signal as additional safety device. With integrated pneumatic emergency drain.
- Installation in a waterproof cassette, dipped galvanized and/or self-carrying on request.
- Two on-floor swivel arm bridges easy to adjust:
 - sliding part on a traverse
 - double telescopic swivel arms
 - height adjustable lifting pads
 - integrated automatic arm locking system
 - with alarm signal instead of feet protectors
 - telescopic arms and height adjustable lifting pads as well as integrated automatic unlocking system.

STANDARD PAINT:

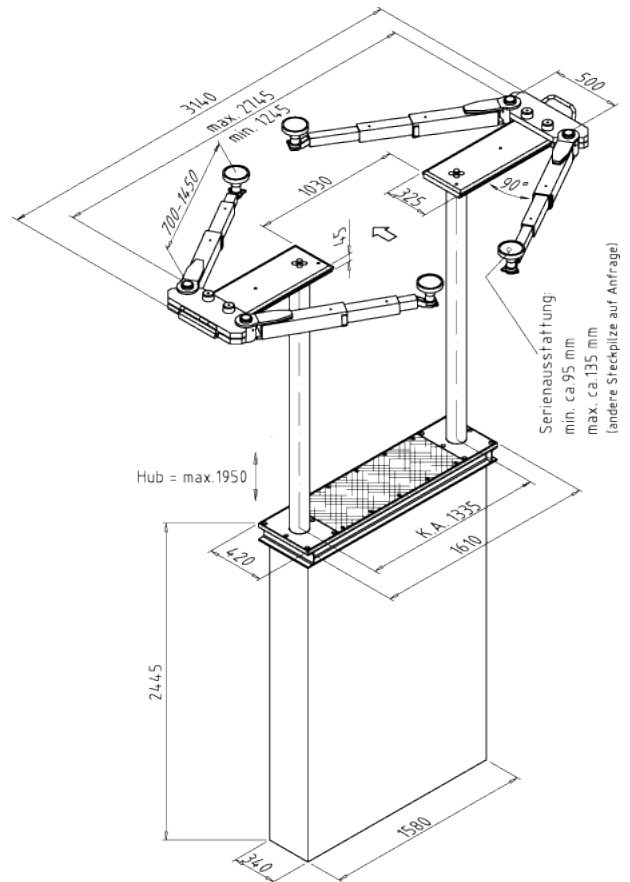
RAL 5019 blue

alternatively

RAL 7016 grey anthracite

SPECIAL PAINT:

On request



MOREOVER:

Our expert consultants would appreciate to help you with the planning of a new garage or the modernization of an existing one.

We offer to work out a workshop concept including an equipment proposal. Please do not hesitate to contact us.

No liability accepted for specifications that are subject to alteration – validity 01/11

The data and pictures in this product information are not binding and are only giving an approximate description. Moreover we reserve the right of differences between the goods delivered and the data and pictures given here (i.e. technical data, equipment, material and optical appearance) so far as the differences are reasonable for the customer and a possible reduction in value or utility value of the goods delivered is not considerable.



Upwards with security!

autop Maschinenbau GmbH * Sandkampstraße 90 * D-48432 Rheine

Tel. +49 (0)5971/8602-02 * Fax +49 (0)5971/860225 * E-Mail: mail@autop.de * www.autop.de