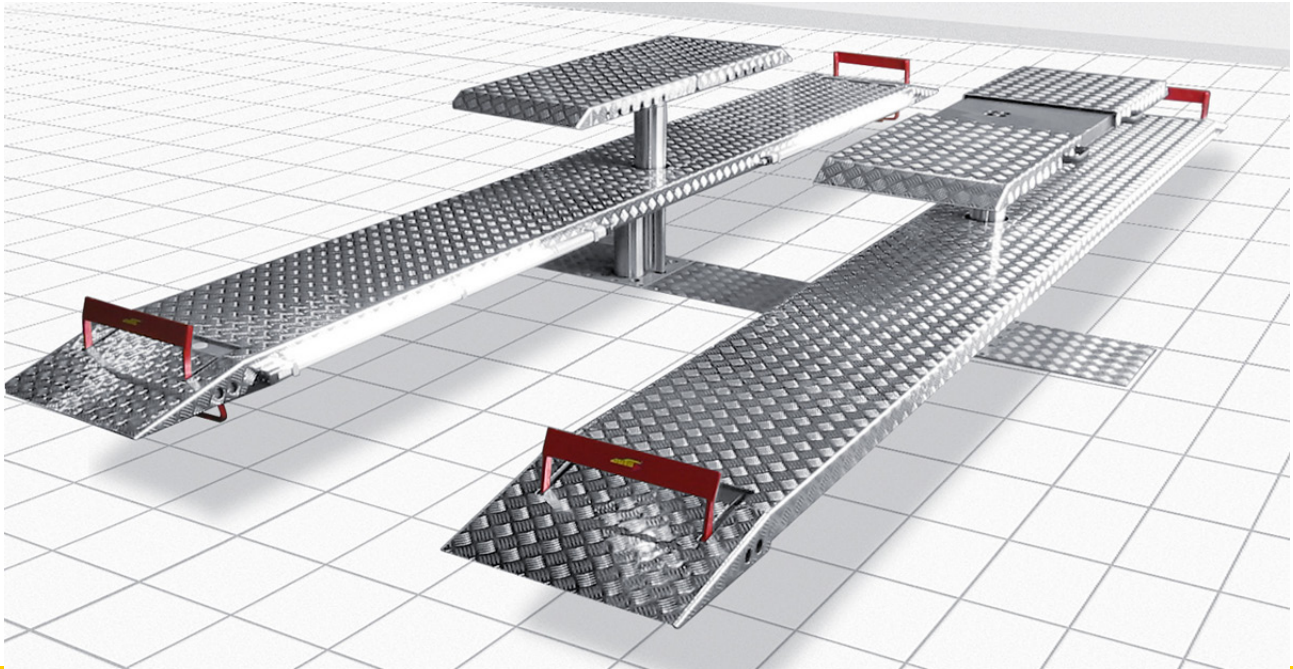


# autop Masterlift 2.35 Combi „Check-in“



## OPERATIVE RANGE:

Check-in



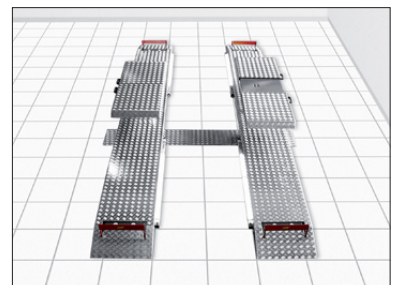
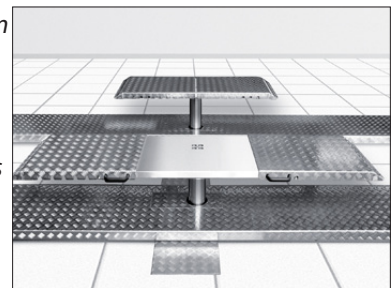
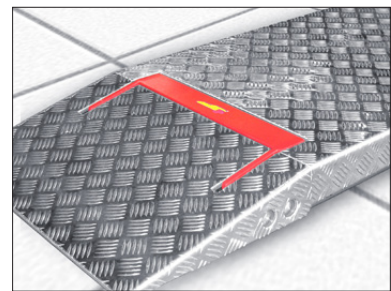
## PARTICULAR FEATURES:

Two different installation possibilities are available, on-floor installation or recessed in the floor. The recessed platform allow a drive-on even with very low cars and reduce the necessary space.

## APPLICATION:

The model autop Masterlift „Check in“ has been improved and optimized. The result is a new „Check-in“ with still more functionality for the reception area. Also the design elements were taken into consideration.

With a usable platform length of 4400 mm and the wide wheel-free device this lift is a real „allrounder“. Thus a high quality and efficient diagnostic of the vehicle can be realised. The hydraulic unit consists in proven moving parts, e. g. tooth bars, chains, cables, ... The construction is simple and nearly without any wear due to the well proven components.



Upwards with security!

**autop Maschinenbau GmbH** \* Sandkampstraße 90 \* D-48432 Rheine  
Tel. +49 (0)5971/8602-02 \* Fax +49 (0)5971/860225 \* E-Mail: [mail@autop.de](mailto:mail@autop.de) \* [www.autop.de](http://www.autop.de)



# autop Masterlift 2.35 Combi „Check-in“

## TECHNICAL DATA:

Capacity:	3,500	kg
Piston distance:	1,335	mm
Stroke length platforms:	1,850	mm
Stroke length wheel-free:	1,850	mm
Diameter of cylinders:	4 x 123	mm
Installation depth:	2,650	mm
Voltage:	230/440	V
	16	A
Pump unit:	3.0	kW

## COMPONENTS:

- Two separate hydraulic units, one for the platforms and one for the wheel-free device, with hard-chromed pistons and cylinders.
- Cylinder running on teflon sliding rings
- Bearing/guiding elements out of galvanized and painted steel.
- SPS-control unit: programmable limit switch, with possibility of activating the illumination only when the platforms are lifted up.
- Synchronizing and safety device to compensate the different efforts by means of a flexible cross bar.
- Hydraulic aggregate integrated in the cassette.
- Push button control for lifting/lowering with lockable main switch and integrated pneumatic emergency drain.
- With platforms out of special bended profiles, sabled, primed and painted, with completely form-closing aluminium plating.
- With a wide wheel-free device
- Illumination as a standard equipment
- Installation in a water-proof cassette. On request: hot galvanized, plastic coated and/or self-carrying.

## AVAILABLE VERSIONS:

- On-floor installation
- Installation recessed in the floor

## OPTIONAL:

Drive on ramps and stoppers depending on the installation situation

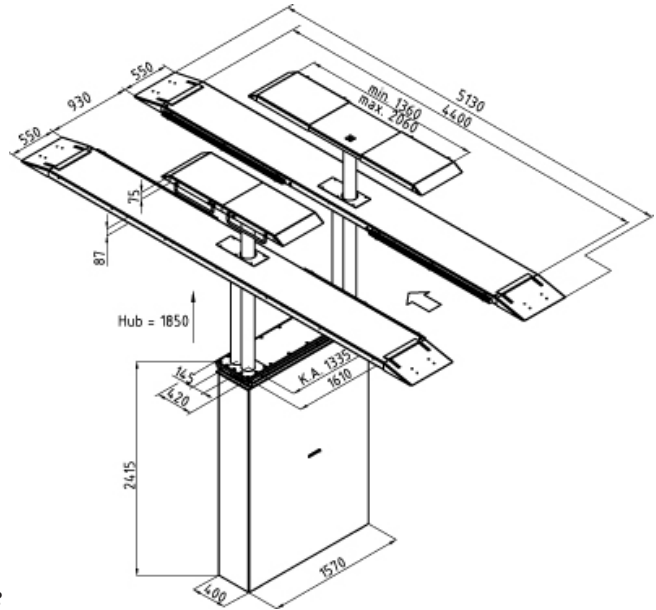
## STANDARD COLOUR:

Aluminium plated

## MOREOVER:

Our expert consultants would appreciate to help you with the planning of a new garage or the modernization of an existing one.

We offer to work out a workshop concept including an equipment proposal. Please do not hesitate to contact us.



No liability accepted for specifications that are subject to alteration - validity 07/2010

The data and pictures in this product information are not binding and are only giving an approximate description. Moreover we reserve the right of differences between the goods delivered and the data and pictures given here (i.e. technical data, equipment, material and optical appearance) so far as the differences are reasonable for the customer and a possible reduction in value or utility value of the goods delivered is not considerable



Upwards with security!