

EZ LINER EXPRESS

PARTS MANUAL

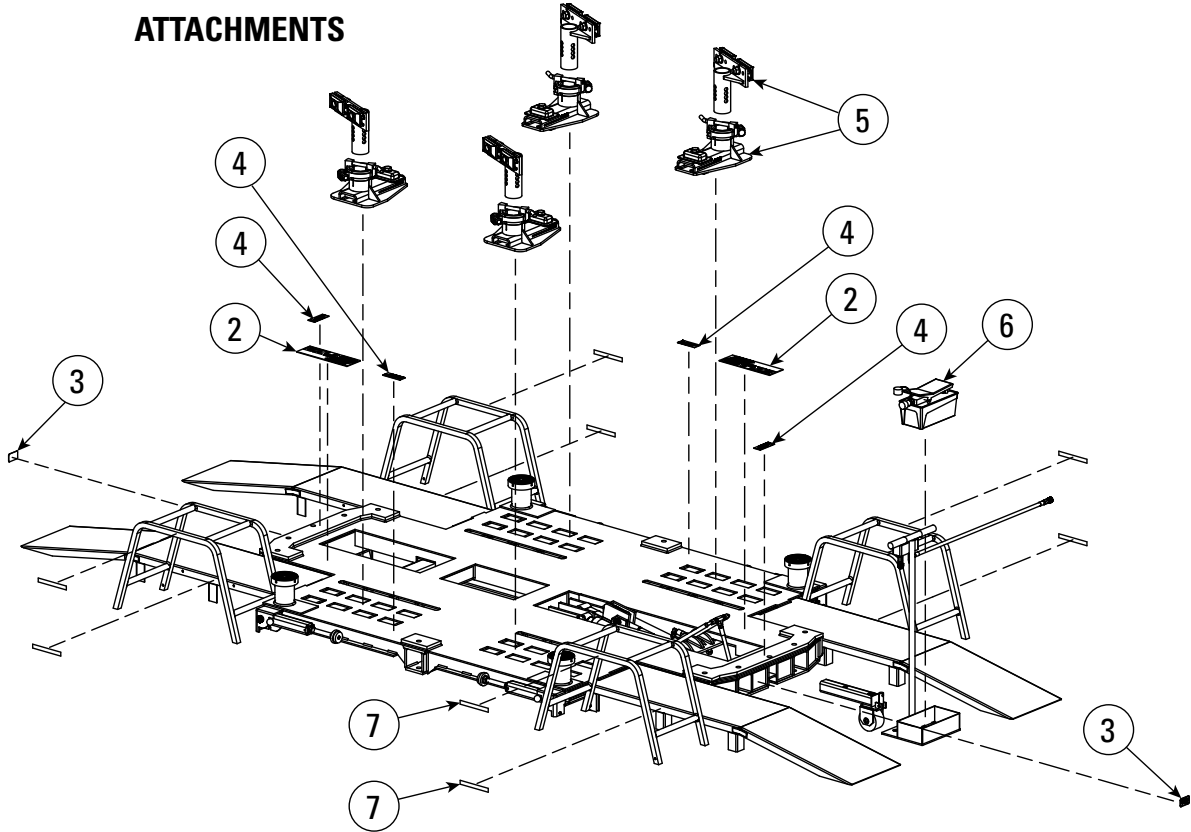


CHIEF'S LIMITED ONE-YEAR WARRANTY & LIABILITY

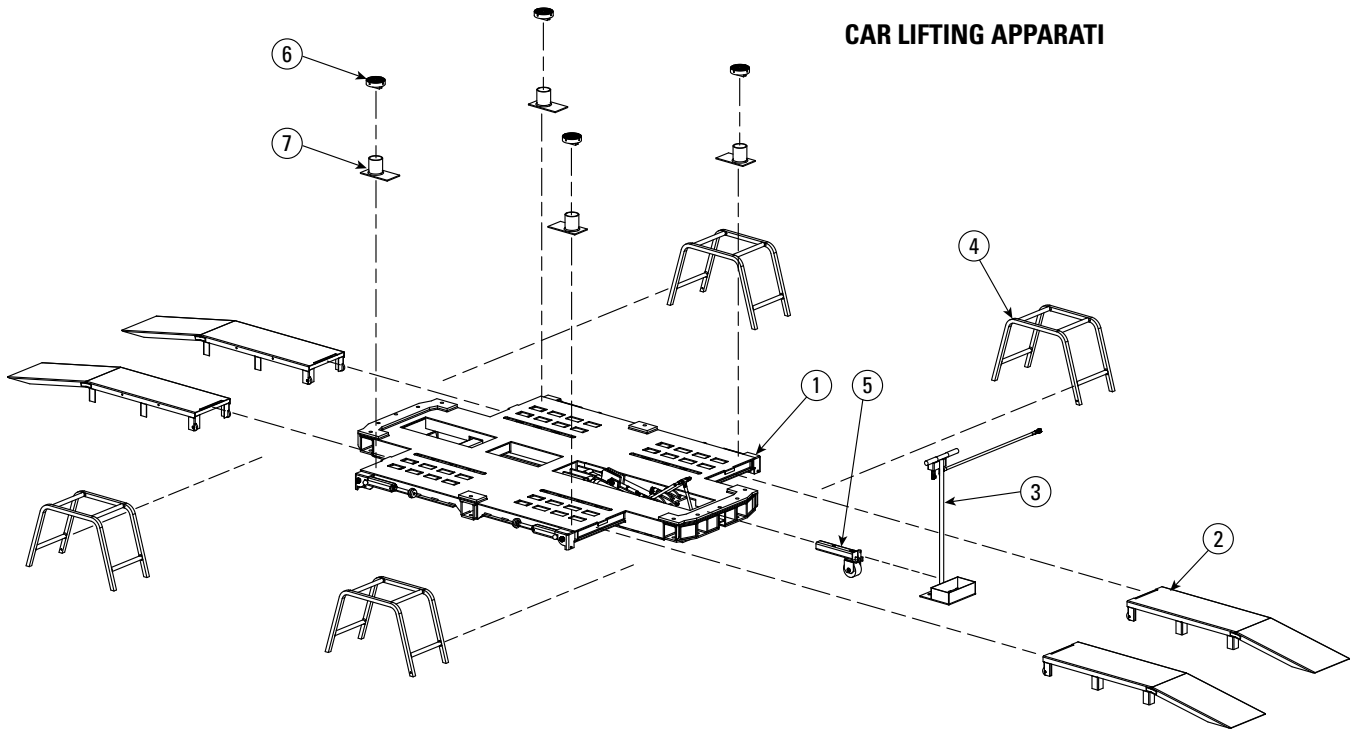
Chief Automotive Technologies warrants for one year from date of installation and/or purchase any components of its EZ Liner Express Repair System which do not perform satisfactorily due to defect caused by faulty material or workmanship. Chief's obligation under this warranty is limited to the repair or replacement of products which are defective and which have not been misused, carelessly handled, or defaced by repair or repairs made or attempted by others.

CHIEF AUTOMOTIVE TECHNOLOGIES DOES NOT ASSUME RESPONSIBILITY FOR ANY DEATH, INJURY OR PROPERTY DAMAGE RESULTING FROM THE OPERATOR'S NEGLIGENCE OR MISUSE OF THIS PRODUCT OR ITS ATTACHMENTS. CHIEF MAKES NO WRITTEN, EXPRESS OR IMPLIED WARRANTY WHATSOEVER OF MERCHANTABILITY OR FITNESS FOR A PARTICULAR PURPOSE OR OTHERWISE REGARDING THE EQUIPMENT OR ANY PART OF THE PRODUCT OTHER THAN THE LIMITED ONE-YEAR WARRANTY STATED ABOVE.

ATTACHMENTS

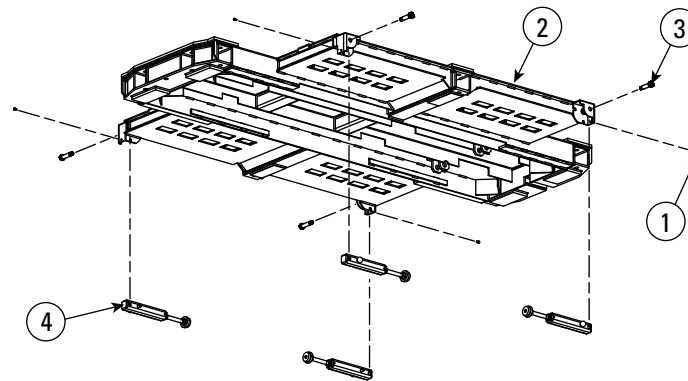


PARTS LIST		
ITEM	P/N	DESCRIPTION
1	556011	EZ LINER EXPRESS RACK
2	556105	EZ LINER EXPRESS TOWER DECAL
3	NP246	NAMEPLATE
4	NP253	NAMEPLATE
5	556300	UNICLAMP ANCHOR STAND, METRIC, SINGLE
6	556304	LIFT PUMP ASSEMBLY
7	NP1042	NAMEPLATE



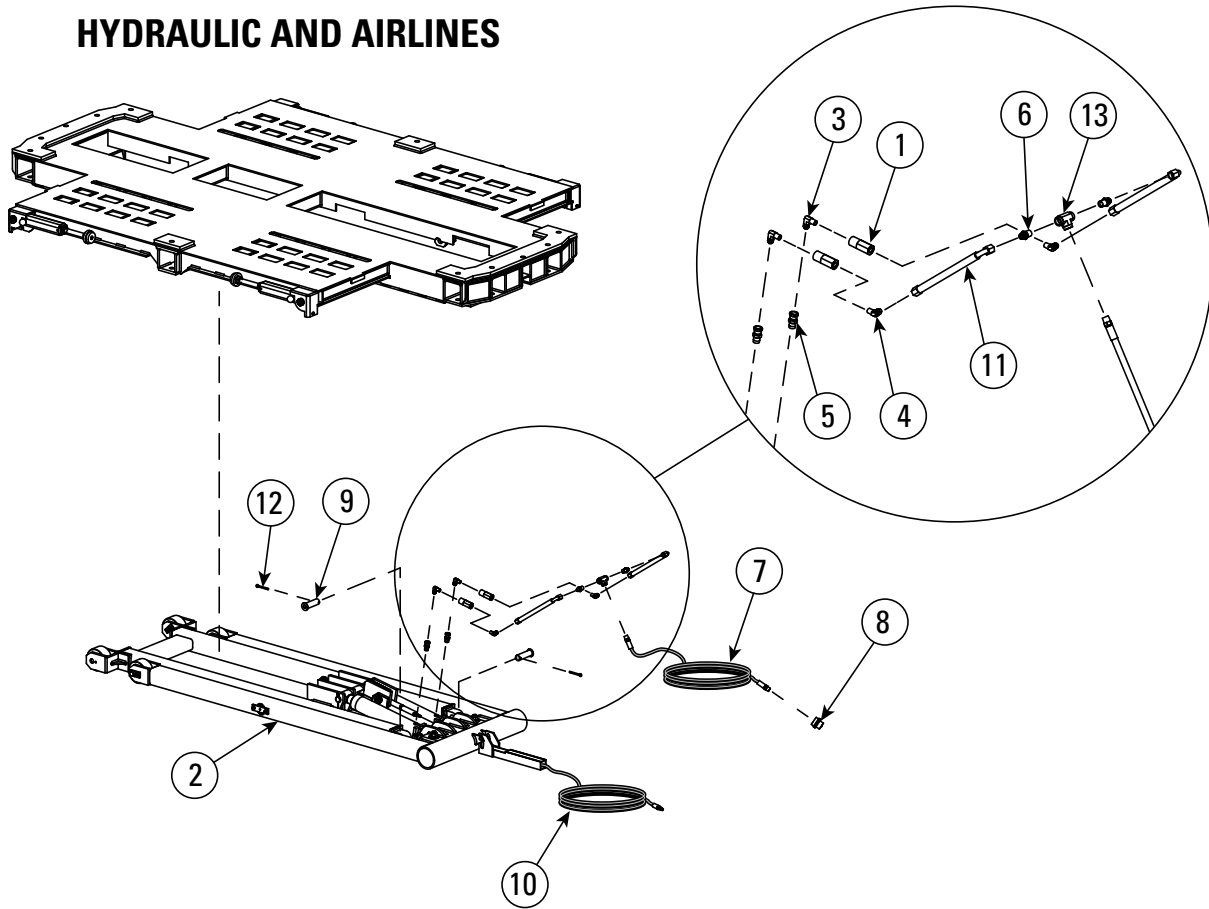
PARTS LIST		
ITEM	P/N	DESCRIPTION
1	556012	EZ LINER EXPRESS LIFT
2	556260	EZ LINER EXPRESS RAMP
3	556310	PUMP HOLDER ASSEMBLY
4	556456	CAR STAND WELDMENT
5	556461	DOLLY WHEEL ASSEMBLY
6	556411	LIFTN' RAK PRO LIFT PAD
7	556407	LIFT PAD HOLDER

STABILIZATION LEG ASSEMBLY



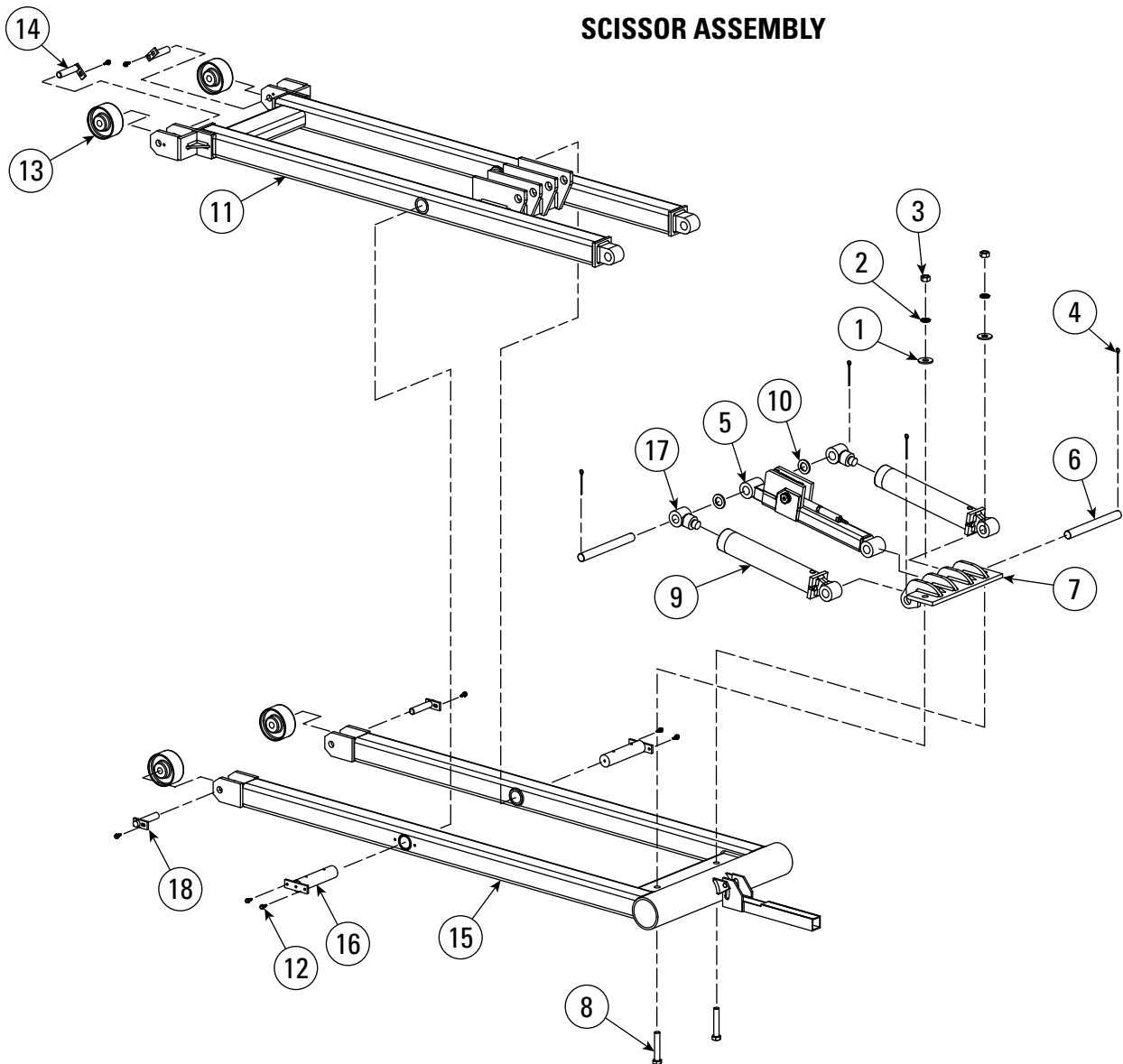
PARTS LIST		
ITEM	P/N	DESCRIPTION
1	41622	M6 X 1.0 X 12mm Lg. HHCS, PLTD. GR. 8.8
2	556200	EZ LINER EXPRESS DECK WELD
3	556244	20mm X 60mm X M16 SHOULDER BOLT DIN12.9
4	556320	LEG ASSEMBLY

HYDRAULIC AND AIRLINES



PARTS LIST		
ITEM	P/N	DESCRIPTION
1	556364	FLOW CONTROL VALVE
2	556400	SCISSOR ASSEMBLY
3	556402	90 DEG ELBOW, -6 MJIC X 1/4" MNPT
4	556403	45 DEG ELBOW, -6 MJIC X 1/4" MNPT
5	602562	SWIVEL COUPLER 3/8" MNPT X -6 JIC
6	556518	STRAIGHT
7	556517	HYD HOSE 3/8 NPT 1/4" ID HI-PR 120"
8	556514	HYD. QUICK DISCONNECT, 3/8 NPT F, HI-PR
9	556452	INNER SCISSOR PIVOT SHAFT WELDMENT
10	556448	AIR CYLINDER HOSE ASSEMBLY
11	556416	HYDRAULIC HOSE
12	556414	1/4" X 2" Lg COTTER PIN
13	556404	3/8" FNPT TEE

SCISSOR ASSEMBLY

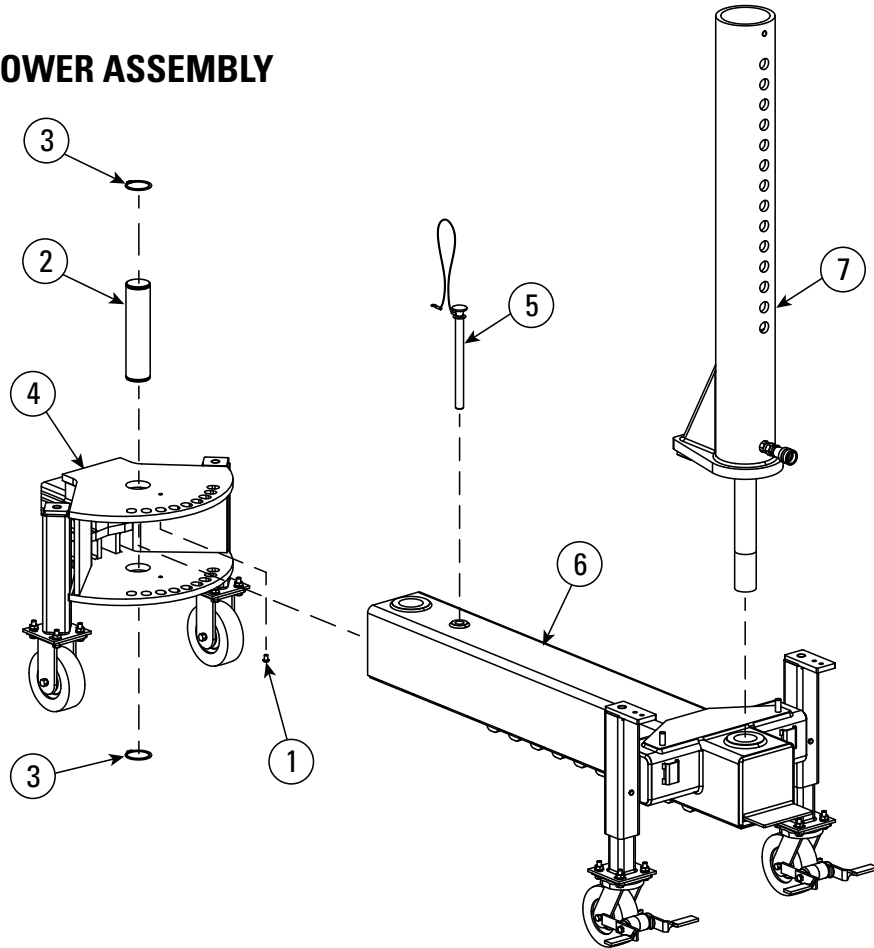


PARTS LIST

ITEM	P/N	DESCRIPTION
1	41513	M16 FLAT WASHER
2	41514	M16 LOCK WASHER
3	41590	M16 X 2.0 HEX NUT PLTD.
4	556306	3mm X 60mm COTTER PIN
5	556330	SAFETY LATCH ASSEMBLY
6	556338	LIFT CYLINDER ROD
7	556340	LOWER CYLINDER MOUNT WELDMENT
8	556344	M16-2.0 X 90mm Lg HHCS DIN10.9, PLTD

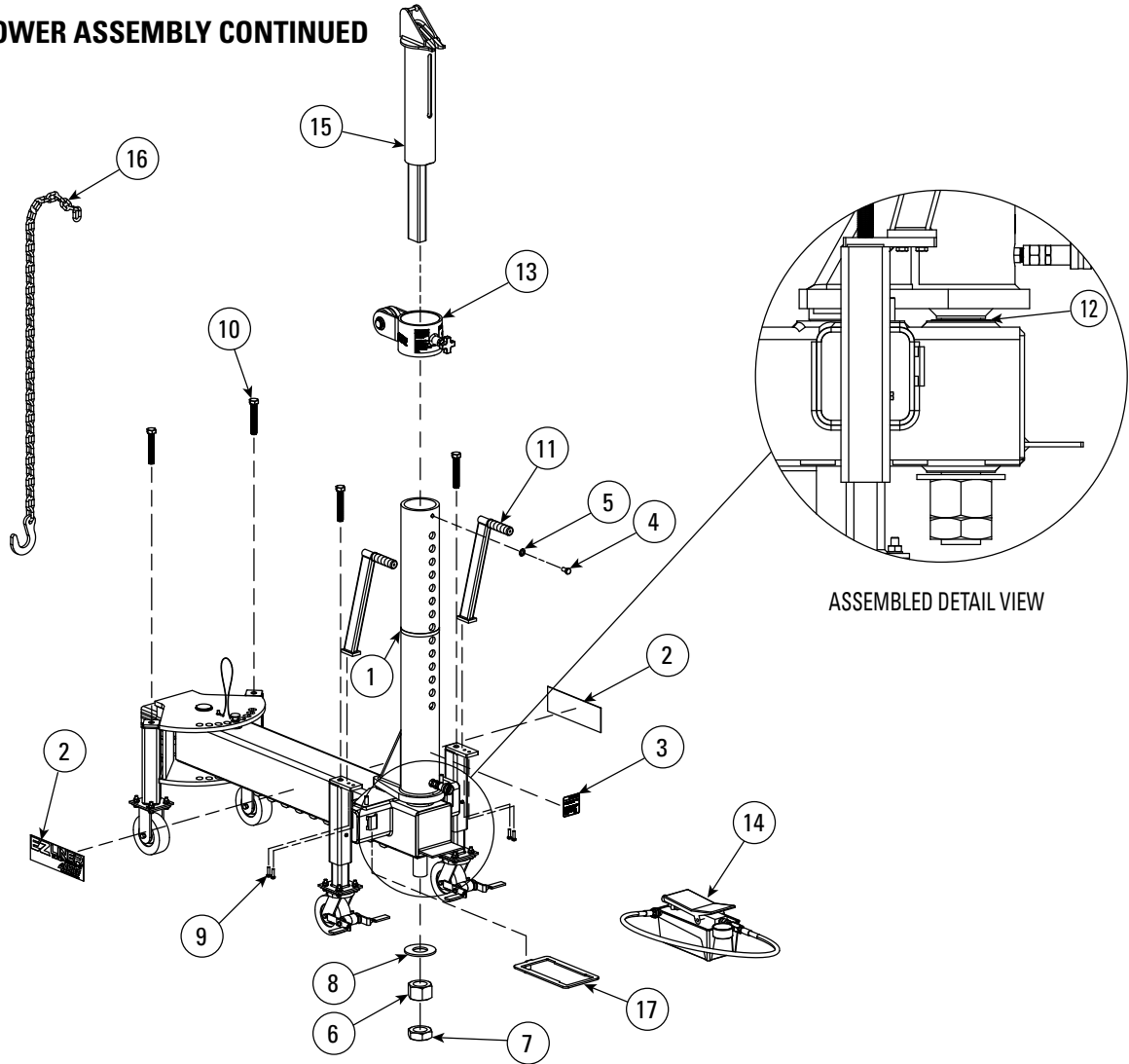
9	556360	CYLINDER ASSEMBLY
10	556401	M26 WASHER
11	556410	INNER SCISSOR WELDMENT
12	556511	SCREW TEK4, 1/4-14 X 3/4" Z
13	556506	CAST IRON WHEEL 4" X 3/4" BORE
14	556516	WHEEL AXLE WELDMENT
15	556459	OUTER SCISSOR ARM WELDMENT
16	556458	SCISSOR PIVOT PIN WELDMENT
17	556457	TOWER CYLINDER END WELDMENT
18	556442	TRACK AXLE WELDMENT

TOWER ASSEMBLY



PARTS LIST		
ITEM	P/N	DESCRIPTION
1	40225	5/16" X 1/2" Lg. HEX SOC BHCS, GRD5
2	556101	PIVOT PIN
3	556102	2-1/4" RETAINING RING
4	556120	INSERT ASSEMBLY
5	556190	POSITION PIN ASSEMBLY
6	556420	TOWER ARM ASSEMBLY
7	556430	TOWER MAST FINAL ASSEMBLY

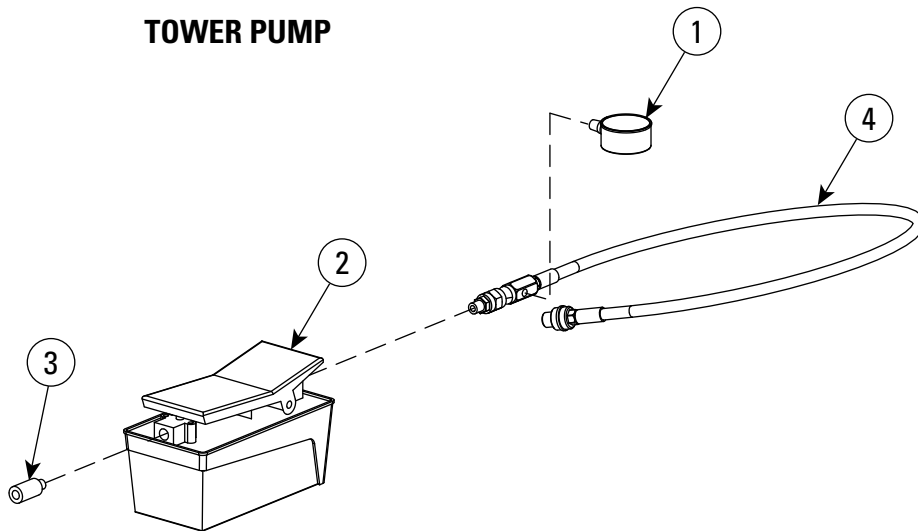
TOWER ASSEMBLY CONTINUED



PARTS LIST		
ITEM	P/N	DESCRIPTION
1	450237	TAPE, 1/2" RED LENGTH =17.5"
2	556105	EZ LINER EXPRESS TOWER DECAL
3	693337	LABEL, WARNING, DO NOT POSITION YOURSELF
4	010624	1/2"-13NC X 1" Lg HHCS, GRD8
5	019095	WASHER, 1/2" ASTM F436
6	40750	2"-4.5NC HEAVY HEX NUT
7	40751	2"-4.5NC HEX JAM NUT
8	41110	2" FLAT WASHER, TYPE B PLTD

9	41539	M8 X 1.25 X 30mm Lg. HHCS
10	556169	M20 X 2.5 X 120mm LG FULL THREAD CLASS 10.9
11	556184	TOWER HANDLE ASSY
12	556106	MAST BEARING
13	556022	COLLAR ASSEMBLY WITH LABELS
14	556023	TOWER PUMP ASSEMBLY
15	556180	TOWER HEAD
16	685206	3/8" x 12' CHAIN WITH HOOK
17	556104	RING, FOOT PUMP STORAGE

TOWER PUMP



PARTS LIST		
ITEM	P/N	DESCRIPTION
1	556177	TOWER PRESSURE GAUGE EZ LINER EXPRESS
2	556305	FOOT PUMP, HYD, AR
3	FC147-15	COUPLER
4	556107	TOWER HOSE ASSEMBLY

THIS PAGE LEFT INTENTIONALLY BLANK



**996 Industrial Drive
Madison, IN 47250
Phone: 800-445-9262
Fax: 866-275-0173**

www.chiefautomotive.com

**Chief reserves the right to alter product specifications
and/or package components without notice.**