



SP065M (200 Series Lifts)

SP065E (600 Series Lifts)

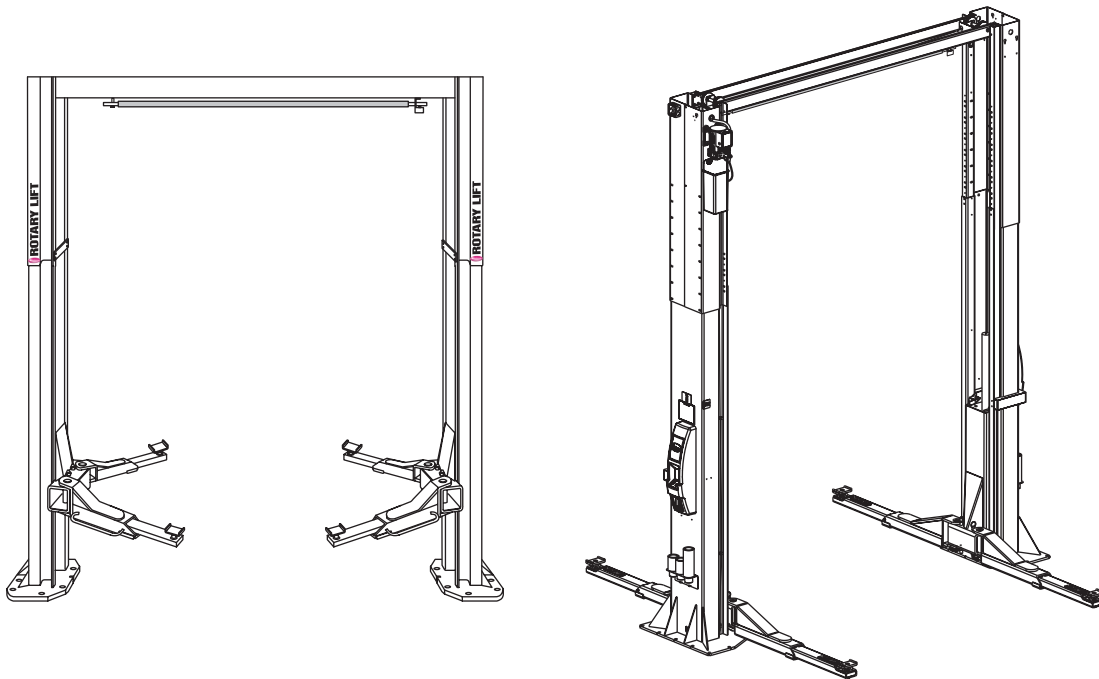
Standard Arms Capacity 6500 kg. (14,300 lbs.)

Sprinter Arms Capacity 5000 kg. (11,000 lbs.)



TÜV  
Rheinland

P  
A  
R  
T  
S  
  
B  
R  
E  
A  
K  
D  
O  
W  
N



**IMPORTANT:** When ordering parts or requesting service always give exact model and power unit serial number. Model number is shown on nameplate attached to power unit column. Power unit serial number is located on side of power unit.

**OWNERS RECORD**  
Complete information  
at right and keep in  
a safe place.

Date Installed \_\_\_\_\_

Installed in Bay # \_\_\_\_\_

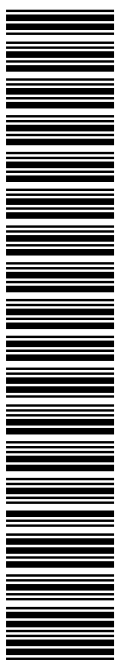
Power Unit Serial # \_\_\_\_\_

Power Unit Model # \_\_\_\_\_

Lift Serial # \_\_\_\_\_

Lift Model # \_\_\_\_\_

**NOTE:** For replacement parts -See your nearest Rotary Parts Distributor.



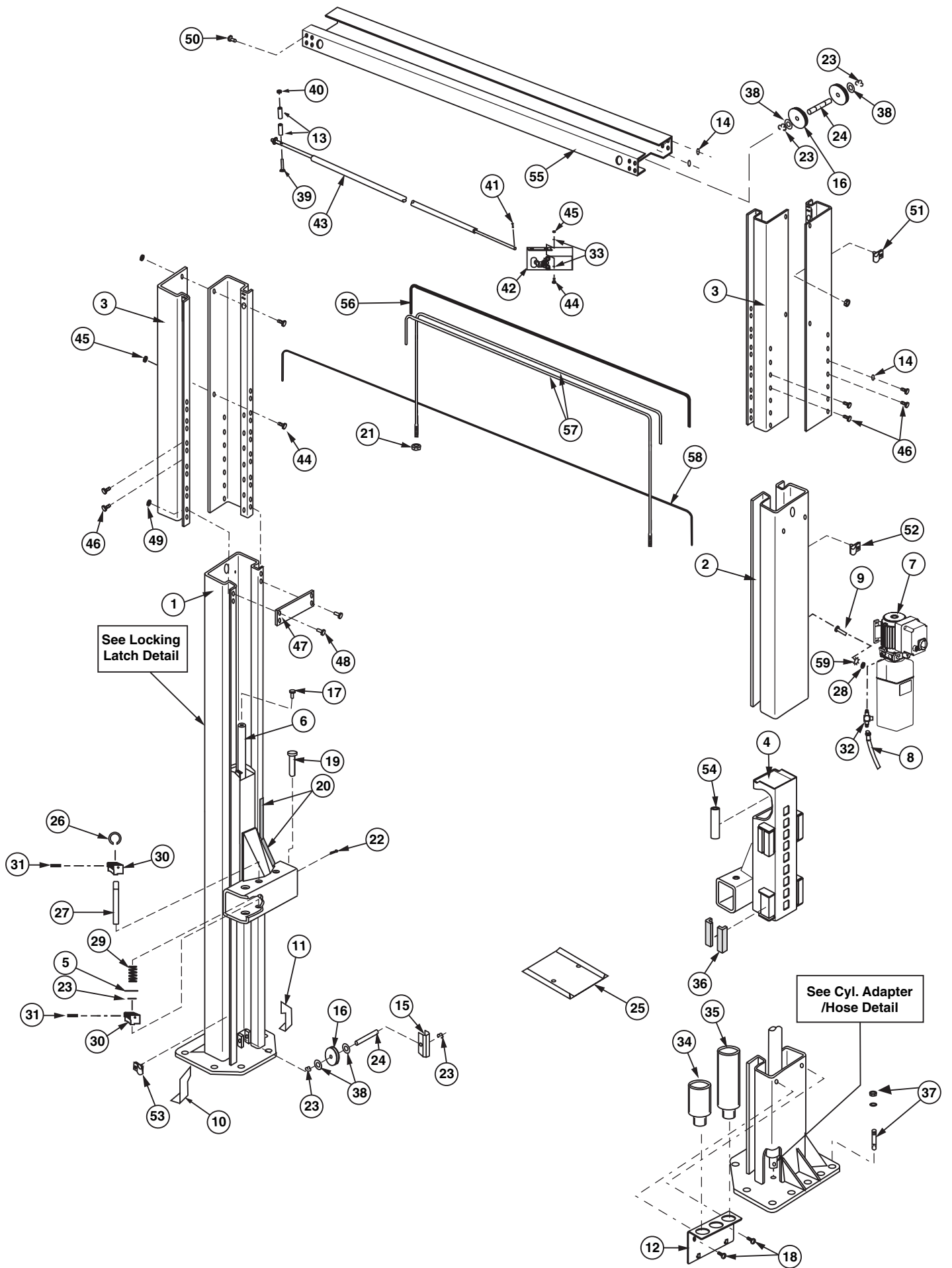
**PB2-60-13**

Rev. E 08/15/2006

# SPO65 M Series

1	L.H. Column Weldment.....	N738	33	1/4" External Tooth Lockwasher.....	40779
2	R.H. Column Weldment .....	N739	34	5" Height Adapters (Standard Arms) .....	FJ7822-4
3	Column Extension			90mm Height Adapters (Sprinter Arms).....	FJ6171-1
	Left Side .....	N430	35	10" Height Adapters (Standard Arms) .....	FJ7822-5
	Right Side.....	N431		130mm Height Adapters (Sprinter Arms)...	FJ6171-2
4	Carriage Yoke Weldment .....	N824	36	Slider.....	FJ7813-1
5	1-1/4" Flat Washer.....	41101	37	3/4" Concrete Anchor .....	FJ7380
6	Hydraulic Cylinder.....	FJ7604	38	UHMWPE Washer.....	FJ7823-4
7	Power Unit .....	*P1072-2/P3072-2	39	1/4-20NC x 2-3/4" HHCS .....	40114
8	Power Unit Hose.....	FJ7828	40	1/4-20NC Insert Locknut .....	40642
9	5/16"-18NC x 1-1/2" HHCS.....	40238	41	1/8 x 1" Lg. Cotter Pin .....	41200
10	Left Toe Guard .....	N159-1	42	Limit Switch Assembly.....	N412
11	Right Toe Guard.....	N160-1		Contains: Limit Switch .....	N411-1
12	Adapter Rack (Standard Arms) .....	FJ7822-3		Bracket .....	N411-2
	Adapter Rack (Sprinter Arms).....	N973-1	43	Switch Bar Assembly.....	N435
13	3/4" Switch Bar Mounting Spacer (2 req'd)	FJ7871	44	1/4-20NC x 3/4"lg. HHCS Grade 5.....	40099
14	3/8" External Tooth Lockwasher.....	40845	45	1/4-20NC Zinc Hex Nut .....	40625
15	Lower Sheave Guard .....	FJ7813-8	46	3/8-16NC x 3/8" Lg. Flanged HHCS.....	
16	Sheave .....	FJ7823-3	47	Tie Bar.....	FJ7824
17	Bleeder Screw (Specify Manufacturer) .....	N/A	48	3/8-16NC x 1" Lg. Flanged HHCS.....	40144
18	5/16-18NC x 3/8" Lg. PHMS .....	40227	49	3/8-16NC Flanged Lock Nut.....	
19	Arm Pin .....	N1132-1	50	3/8-16NC x 3/4" Lg. Flanged HHCS.....	40124
20	Approach Bumper (Foam 18" lg. 4 req'd)..	FJ7391-3	51	Pipe Clip (5/8" Clamping Diameter).....	FJ7499
21	3/4-10NC Nylon Insert Hex Lock Nut.....	40790		5/16-18NC x 1/2" Lg. PHMS .....	40228
22	NA .....	NA		5/16-18NC Hex Nut .....	40670
23	Truarc #5304-100 Klipring for 1" Shaft .....	41412	52	Pipe Clip (5/8" Clamping Diameter).....	FJ7499
24	Lower Sheave Shaft.....	FJ7813-3		5/16-18NC x 3/8" Lg. PHMS .....	40227
25	Wheel Spotting Dish Kit.....	FF729-1	53	Pipe Clip (1/2" Clamping Diameter).....	FJ7669
26	Actuator Pin Handle.....	FJ7985-1		5/16-18NC x 3/8" Lg. PHMS .....	40227
27	Actuator Pin .....	N1132-2	54	Equalizer Cable Spacer .....	FJ7833
28	5/16-18NC Hex Nut .....	40670	55	Overhead Weldment .....	N429-1
29	Actuator Pin Spring.....	N1132-3	56	Overhead Hose .....	FJ7829
30	120T Gear Block.....	N2121	57	Equalizer Cable Assembly .....	FJ7827-1
31	Spring Pin 1/4 x 1-1/2" Lg. Stainless.....	14427	58	Locking Latch Air Line 1/4" O.D. ....	FA2230-2
32	Branch Tee.....	FJ7668	59	5/16" External Tooth Lockwasher.....	40854

**\* Two different power units were used. Please verify your exact model number before ordering replacement parts.**





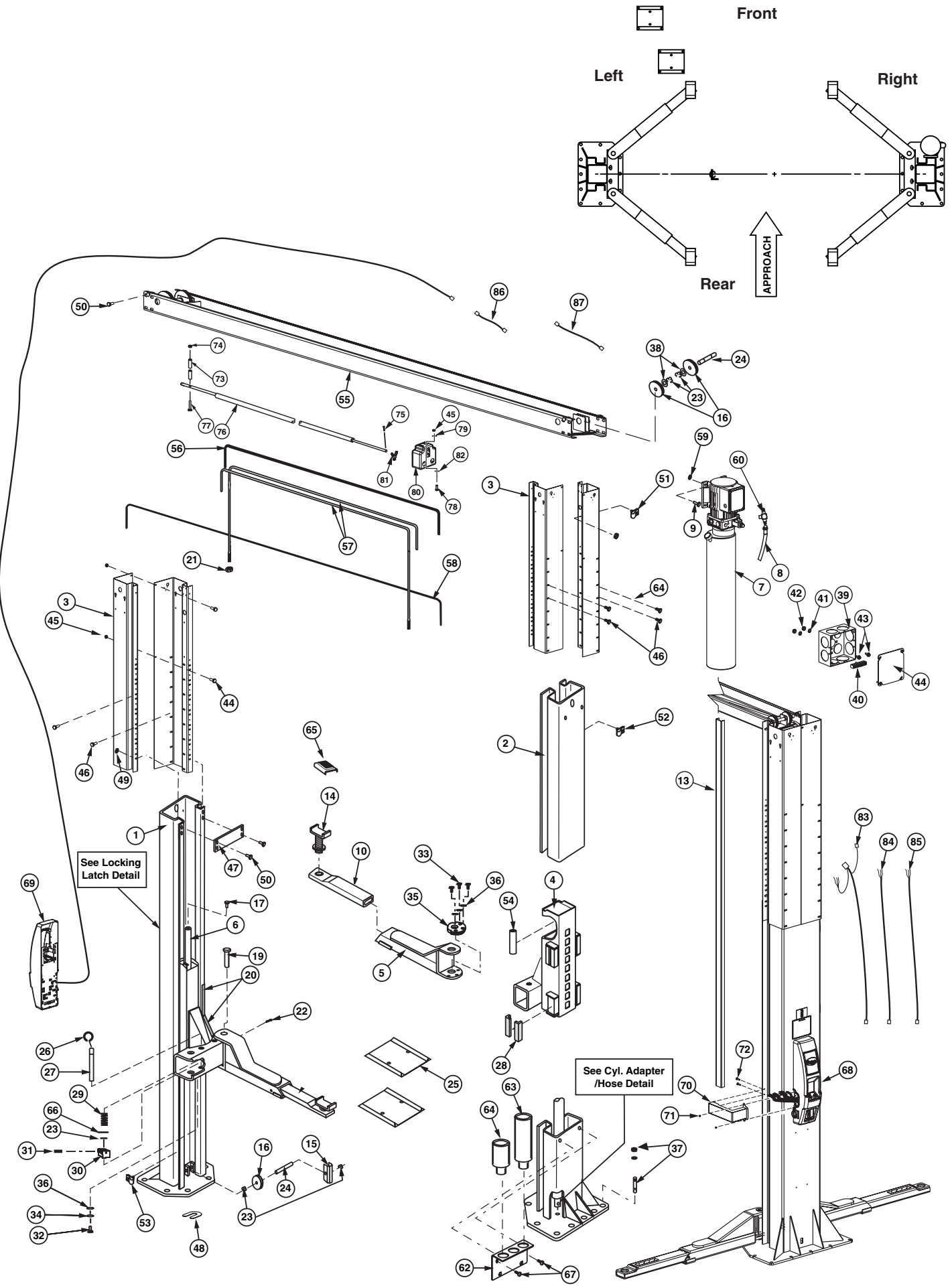
Front

Left

Right

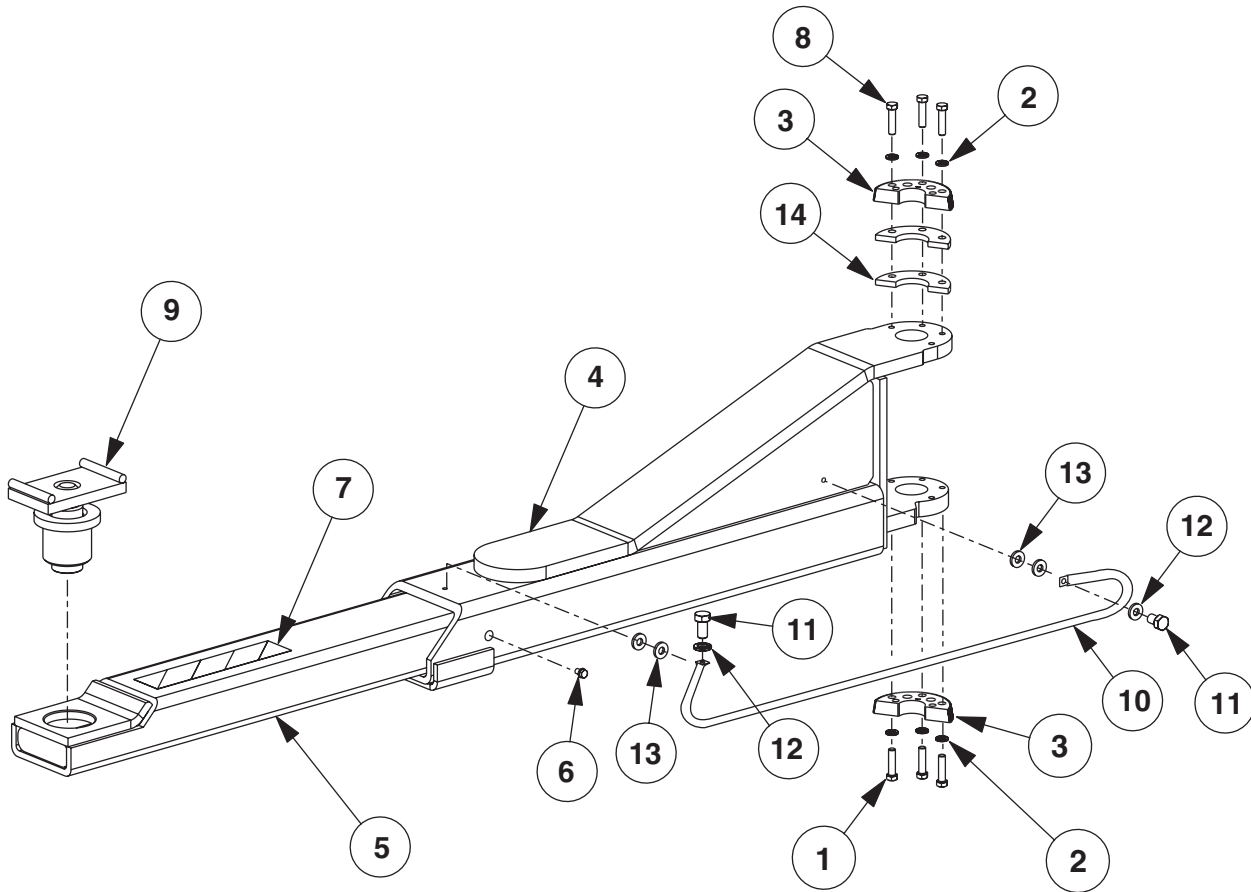
Rear

APPROACH



# Standard Arms (N2144)

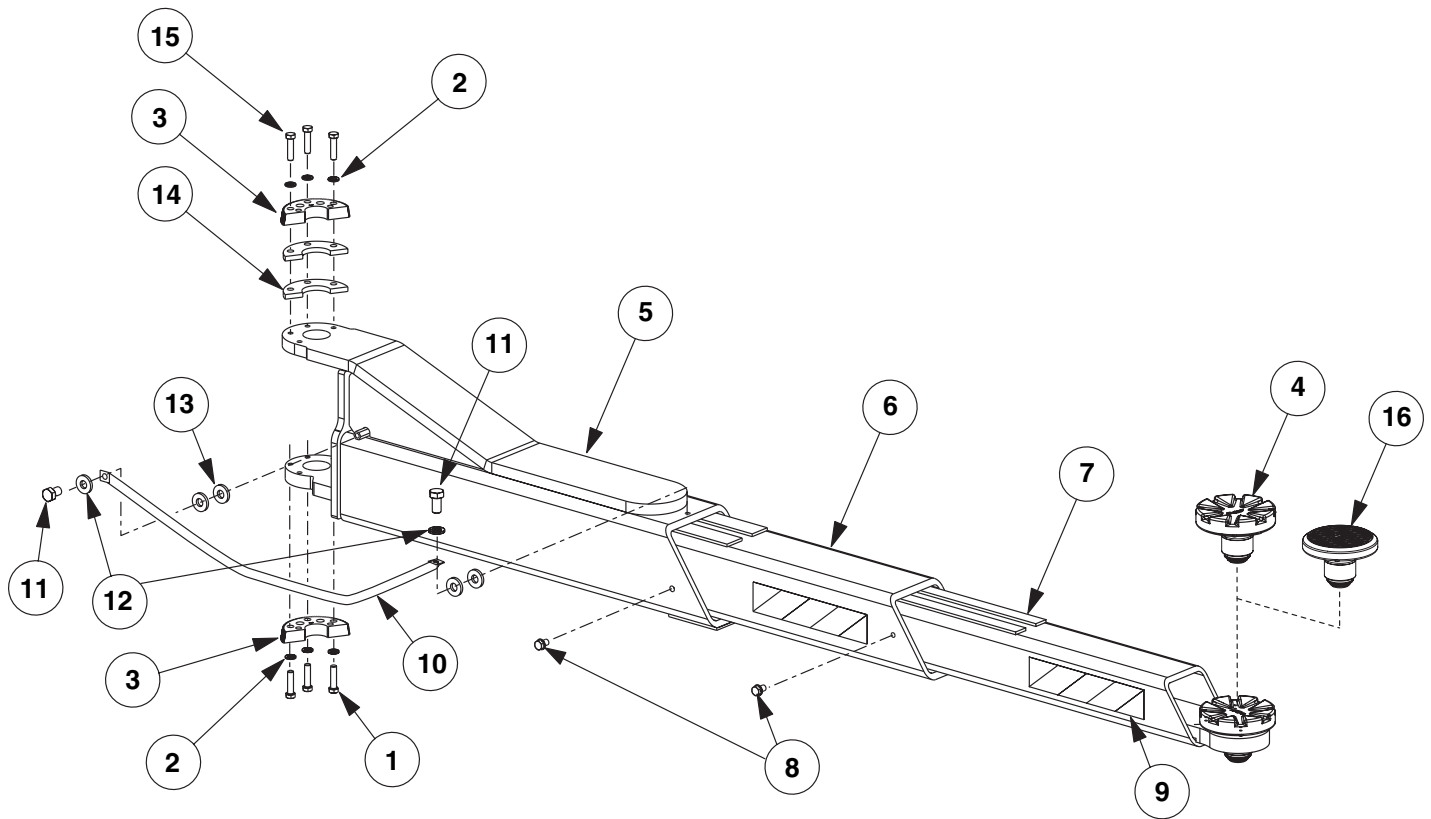
Capacity  
6500Kg (14,300 lbs.)



1. 3/8"-16NC x 1-1/2" HHCS Grade 8 ..... 40373
2. 3/8" Spring Washers ..... 40818
3. Arm Restraint Gear..... N2122
4. Outer Arm..... N2144-1
5. Inner Tube..... FJ7819-2
6. Stop Bolt Assembly..... N219
7. Traffic Tape ..... N220-3
8. 3/8"-16NC x 2" Lg. HHCS Grade 8..... 40374
9. Adapter Assembly ..... FJ7822-1
10. Arm Guard..... N253-3
11. 5/16"-18NC x 3/4" Lg. HHCS ..... 40252
12. 5/16" Flat Washer, Plated SAE Standard .... 40856
13. 5/16" Split Lockwasher, Plated ..... 40856
14. Gear Spacer ..... N2144-6

# Sprinter Arms (N2219)

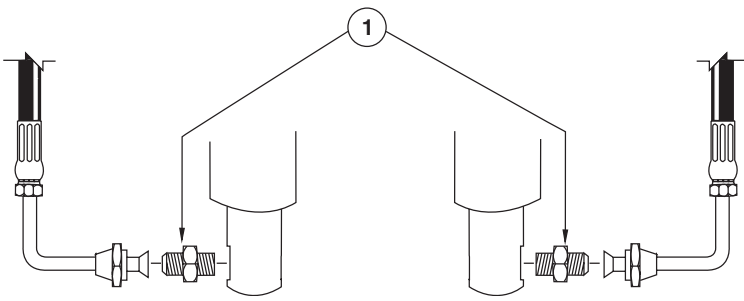
Capacity  
5000 Kg. (11,000 lbs.)



1. 3/8"-16NC x 1-1/2" Lg. HHCS Grade 8 ..... 40373
2. 3/8" Spring Washers ..... 40818
3. Arm Restraint Gear..... N2122
4. Adapter Assembly ..... FJ6191
5. Long Outer Arm..... N2219-1
6. Long Middle Arm..... N2219-2
7. Long Inner Arm..... N2219-3
8. Stop Bolt Assembly..... N219
9. Traffic Tape ..... N220-3
10. Arm Guard..... N283-6
11. 5/16"-18NC x 3/4" Lg. HHCS ..... 40252
12. 5/16" Flat Washer, Plated SAE Standard .... 40856
13. 5/16" Split Lockwasher, Plated ..... 40856
14. Gear Spacer ..... N2144-6
15. 3/8"-16NC x 2" Lg. HHCS Grade 8..... 40374
16. Low Profile Adapter Assembly ..... FJ6202

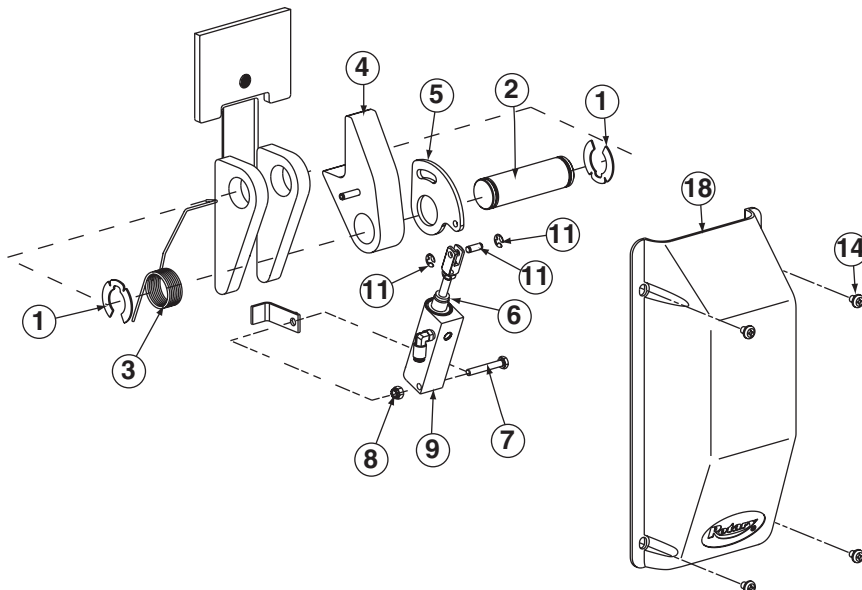
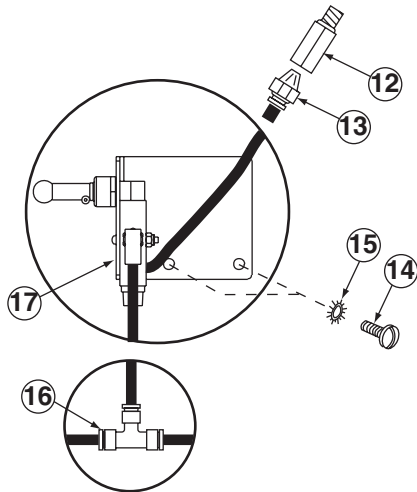
## CYLINDER ADAPTER/HOSE DETAIL

ITEM#	DESCRIPTION	PART#
1	Straight Adapter.....	FJ7352-3



## LOCKING LATCH DETAIL

ITEM#	DESCRIPTION	PART#
1	Truarc Klipring#5304-125 for 1 1/4" Shaft.....	41417
2	Latch Shaft.....	FJ7813-7
3	Latch Spring.....	FJ7813-5
4	Locking Latch Dog Assy. ....	FJ7813-14
5	Latch Control Plate .....	FJ7813-6
6	Dampening Spacer .....	FJ7813-13
7	1/4"-20NC x 1-1/4" HHCS.....	40101
8	1/4"-20 Nylon Insert Nut.....	40642
9	Air Cylinder .....	N614-1
10	Swivel elbow 1/4" O.D. tube to 1/8" NPT.....	FA3134-6
11	Bimba Piston Rod Clevis #D-166-1 (set).....	11263
12	Filter .....	FA3134-12
13	1/4" Male Connector.....	FC5191-6
14	5/16"-18NC x 3/8" PHMS.....	40227
15	5/16" External Lockwasher.....	40854
16	Union Tee .....	FC5225-46
17	Switch Bracket & Switch (Set) .....	N620
18	Latch Cover .....	FJ7451





**Notes:**

World Headquarters:  
**Rotary Lift**  
A  COMPANY  
2700 Lanier Drive  
Madison, Indiana USA  
Phone: 1.800.445.5438  
Phone: 1.812.273.1622  
Fax: 1.800.578.5438  
Fax: 1.812.273.6502  
userlink@rotarylif.com  
www.rotarylif.com

Germany:  
(European Headquarters)  
**BlitzRotary GmbH**  
Bräunlingen  
Phone: +49.0771.9233.0  
Fax: +49.0771.9233.99  
europe@rotarylif.com

Canada:  
(Regional Sales Office)  
**Rotary Lift Canada**  
Mississauga, Ontario  
Phone: 888.256.4195  
Phone: 905.812.9920  
Fax: 905.812.9719  
canada@rotarylif.com

United Kingdom:  
(Regional Sales Office)  
**Rotary Lift (UK) LTD.**  
Halstead, Essex  
Phone: +44.178.747.7711  
Fax: +44.178.747.7720  
sales@rotarylif.idps.  
co.uk

Austral-Asia:  
(Regional Sales Office)  
**Rotary Lift Austral/Asia**  
Petaling Jaya, Malaysia  
Phone: +60.3.7660.0285  
Fax: +60.3.7660.0289  
rlim@rotarylif.com

