



SPO65M (200 Series Lifts)

SPO65E (600 Series Lifts)

Standard Arms Capacity 6500 kg. (14,300 lbs.)

Sprinter Arms Capacity 5000 kg. (11,000 lbs.)



TÜV
Rheinland

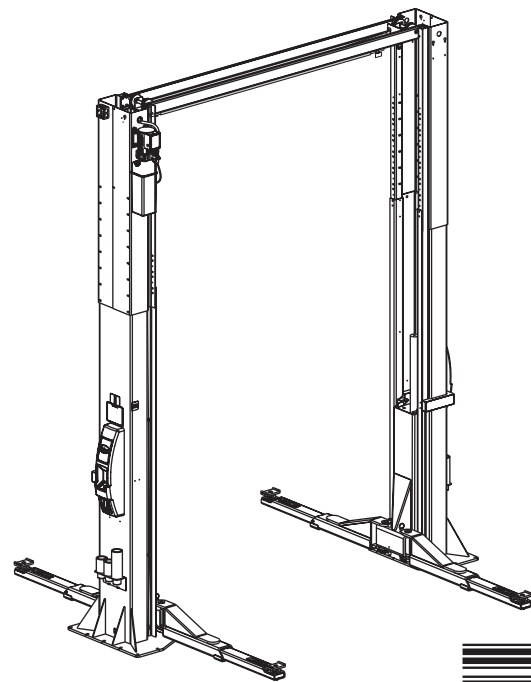
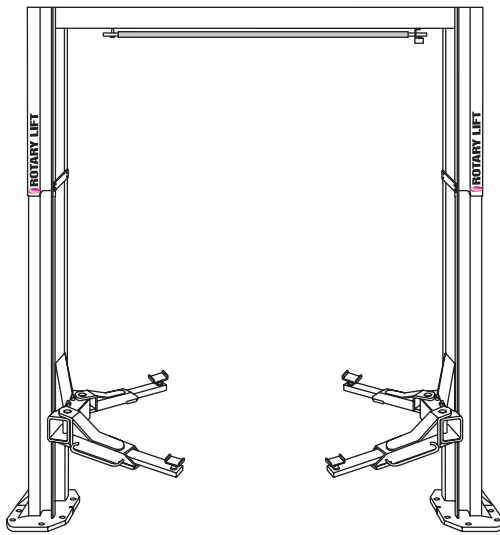


Table of Contents

Lift Controls	3
Operating Instructions.....	5
Residual Risks	7
Maintenance Instructions	8
Operator Inspection And Maintenance.....	8
Troubleshooting For Operators	8
Service Representative Inspection And Maintenance	10
Equalizer Cable Adjustment	12
Manual Lowering Of Lift	13



OPERATION & MAINTENANCE MANUAL

LP20074

OM20166

Only those technicians who have been properly trained in the usage and care of the lift should be allowed to operate the lift.

Local regulations MAY require that the trained operator be at least 18 years of age or be supervised by a trained operator while:

- A. Positioning the vehicle in the service bay,**
- B. Positioning the lift adapters at the vehicle manufacturer's recommended lift points, and,**
- C. Actuating the lift controls.**

Display this manual in a conspicuous location in the lift area convenient to the operator.

The lift is to be used for raising unoccupied motor vehicles ONLY!

ALWAYS lift the vehicle using all four (4) adapters.
NEVER raise just one end, one corner, or one side of the vehicle.

ONLY lift vehicles which have an individual axle weight that does not exceed one-half the lift capacity. See load capacity table below.

MODEL	LOAD CAPACITY
SPO65MD21X (Standard Arms)	6500 kg. (14,300 lbs.)
SPO65ED21X (Standard Arms)	6500 kg. (14,300 lbs.)
SPO65MD2AX (Sprinter 3-Stage Arms)	5000 kg. (11,000 lbs.)
SPO65ED2AX (Sprinter 3-Stage Arms)	5000 kg. (11,000 lbs.)

Lift Controls For M Series

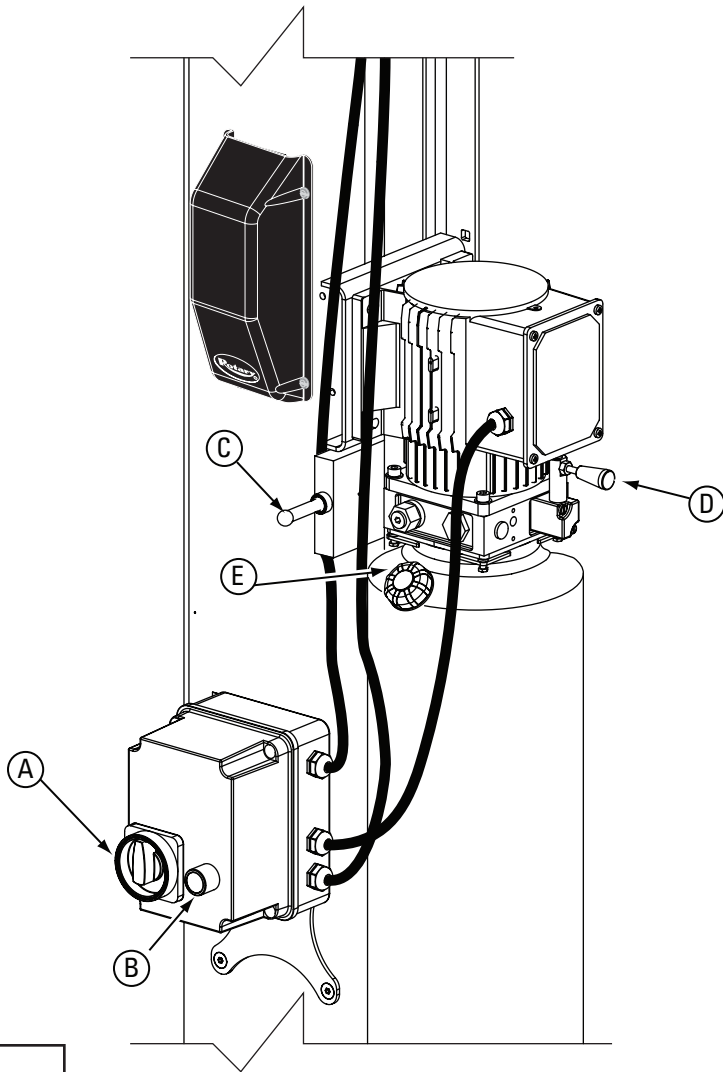


Fig. 1 Detail	
A	E-Stop Switch
B	Raises Lift
C	Latch Release
D	Lowering Valve Handle
E	Fill Breather Cap

Fig. 1

LIFT CONTROLS E SERIES LIFTS

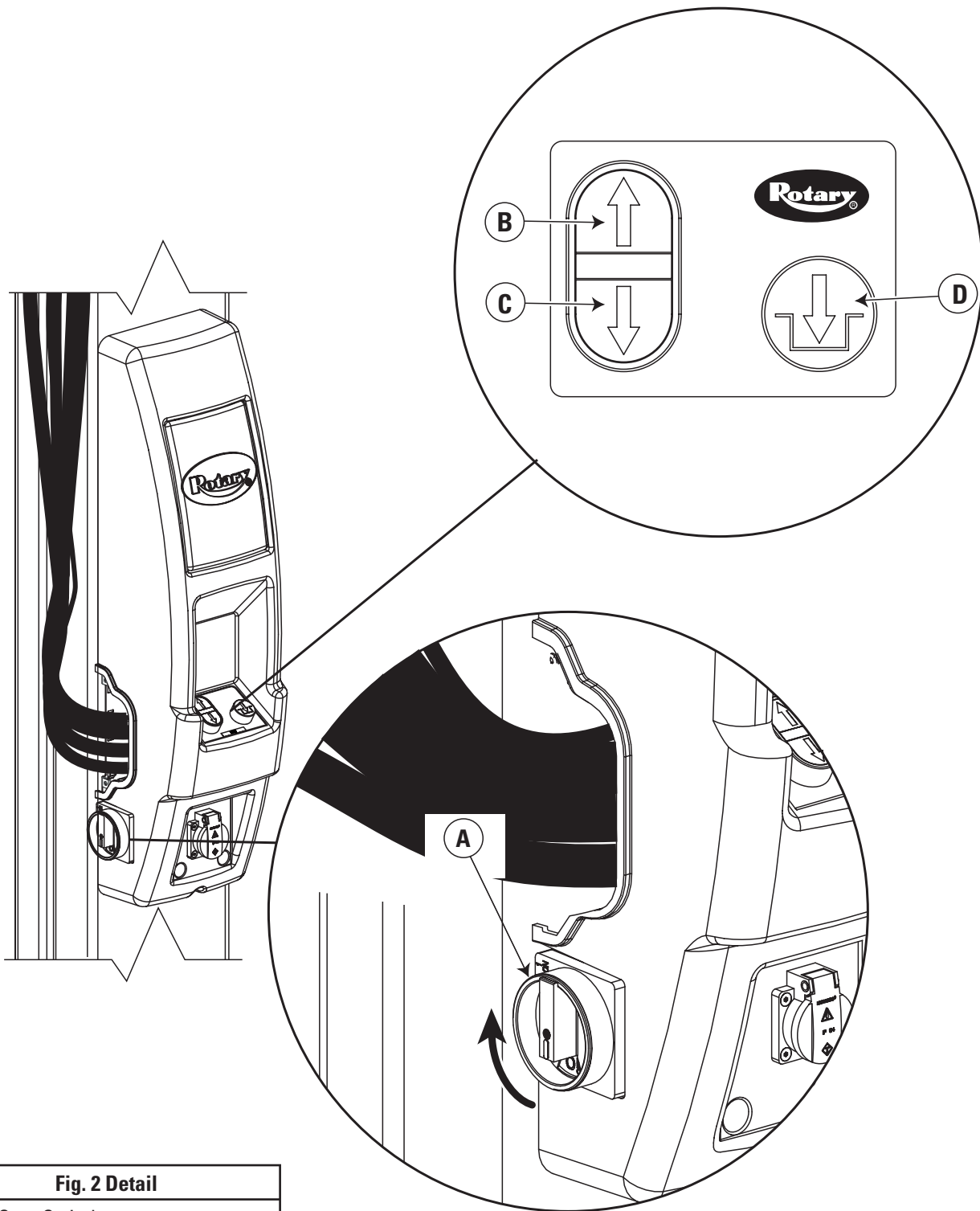


Fig. 2 Detail

A	E-Stop Switch
B	Raises Lift
C	Lowers Lift
D	Lowers Lift To Locking Latches

OPERATING INSTRUCTIONS

SURFACE MOUNTED FRAME ENGAGING LIFTS

⚠️ WARNING To avoid personal injury and/or property damage, permit only trained personnel to operate lift. After reviewing these instructions, get familiar with lift controls by running the lift through a few cycles before loading vehicle on lift.

IMPORTANT Always lift the vehicle using all four adapters. **NEVER** raise just one end, one corner, or one side of vehicle.

Assure vehicle frame can support it's weight & overhead bar or sensor will contact highest point on the vehicle.

1. Before Loading:

- Inspect Lift - See "Operator Inspection And Maintenance" on page 8. Never operate if lift malfunctions or has broken or damaged parts.
- Lift must be fully lowered and service bay clear of all personnel before the vehicle is positioned onto lift.
- Swing arms out to full drive-thru position.
- Assure area around lift is free of tools, debris, grease, and oil.
- Assure Adapter Pads are free from grease and oil.
- **Do Not** allow unauthorized persons in shop area while lift is in use.
- **Do Not** use any part of the lift as a crane or as a support for another lifting mechanism (i.e.: block & tackle, etc.).
- Turn E-Stop switch to "ON" Position, Fig. 1.
For E series lifts turn both E-Stop switches "ON", Fig. 2.


2. Loading:

- **Do Not** allow unauthorized or untrained persons to position vehicle or operate lift.
- **Do Not** drive over arms.
- **Do Not** overload lift. See capacity label on lift.
- Use Only adapter extenders provided by the manufacturer. **Do Not** use wood, concrete blocks, or other improvised extenders.
- Spot vehicle over lift with left front wheel in proper spotting dish position, Fig. 3. Position vehicle according to the center of gravity, not for door opening clearance.
- Check the condition of the pickup points of the vehicle.

- Swing arms under vehicle and position adapters at vehicle manufacturer's recommended lift points, Fig. 3. Adjust adapters to the required height to keep the vehicle level and properly balanced.
- Use optional adapters for under body clearance when required.


⚠️ WARNING Adapter extensions are furnished in 127mm and 254mm increments. The stack up height should not exceed 381mm. Use adapter extension combination to keep vehicle as level as possible while it is being supported by the lift.

3. To Raise Lift:

- **Do Not** permit anyone on lift or inside vehicle when it is being raised or lowered.
- Maintain visual contact with arms, pickup points, & vehicle throughout the motion of the lift while remaining clear of lift.
- For M Series Lifts: Actuate RAISE Switch on Control Box to raise lift, Fig. 1.
- For E Series Lifts: Push  on control panel, Fig. 2.

Note: Allow 2 seconds between motor starts. Failure to comply may cause motor burnout.

- Stop before making contact with vehicle. Check arm restraint pins for engagement. If required, slightly move arm to allow restraint gear and pawl to mesh. **DO NOT** hammer pin down as this will damage the restraint gear teeth.

- Raise vehicle until tires clear the floor.
- Stop and check adapters for secure contact at vehicle manufacturer's recommended lift points.
- Continue to raise to desired height only if vehicle is stable on lift.
- Lower lift onto safety latches after desired height is reached. (Lift is to be raised high enough for locking latches to engage.)
- For M Series Lifts: Actuate LOWERING VALVE handle to lower lift onto locking latches, Fig. 1.
- For E Series Lifts: Actuate  control panel to lower lift onto locking latches, Fig. 2.
- **DO NOT** go under vehicle if all four adapters are not in stable contact at vehicle manufacturer's recommended lift points.
- Repeat complete spotting, loading, and raising procedures if vehicle is unstable.

4. While Using Lift:

- Avoid excessive rocking of vehicle while on lift.
- Always use safety stands as needed for stability when removing or installing heavy components. (i.e.: engines, transmissions, etc.) Use 4 safety stands.
- Raise safety stands to meet vehicle, **do not** lower vehicle onto stands.
- Avoid accidental touching of exposed exhaust system on raised vehicles. Watch for air hoses and electrical cords which may be tripped over.
- Wear safety glasses while working under vehicle.



5. Before Lowering Lift:

- Remove all tools or other objects from lift area.
- Assure personnel are not in lift area.

6. To Lower Lift:

- Remain clear of lift when lowering vehicle. Keep Feet Clear!
- For M Series Lifts, Fig. 1:
 - Actuate RAISE switch to raise lift off locking latches.
 - Actuate SAFETY LATCH RELEASE handle fully and hold.
 - Actuate LOWERING VALVE handle to lower.

Note: Both LATCH release and LOWERING VALVE handles are deadman-type design. Each must be held down to lower lift. **Do not** override these self-closing lift controls.

- For E Series Lifts, Fig. 2:
 - Push  on control panel to raise lift off of locking latches.
 - Push  on control panel to lower lift.

7. Unloading:

- Remove adapters from under vehicle and swing arms to full drive-thru position before moving vehicle.
- Assure Exit area is clear of objects and personnel before removing vehicle from lift.

8. Power Off:

- Turn E-Stop switch to "OFF" position while lift is not in use.

Positioning the Vehicle

For longer wheel base vehicles, position the vehicle on the forward spotting dish. For shorter wheel bases, position the vehicle on the rear spotting dish. Due to varying centers of gravity within different vehicle classes, use the dishes as guides only and locate the arms beneath the vehicle pickup points. Always position vehicle with its center of gravity in line with the lift columns. Slightly raise the vehicle and check for stability. Do this by pushing up and down on the front and rear bumpers. The vehicle should sit firmly on all pickup points. If necessary, relocate arms and/or vehicle to attain a stable condition.

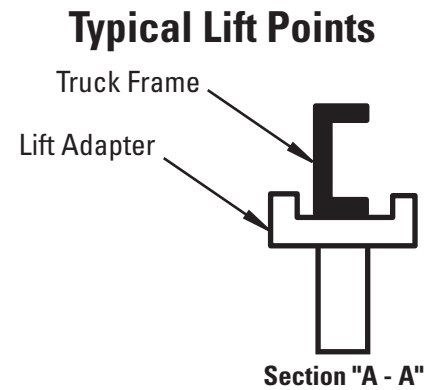
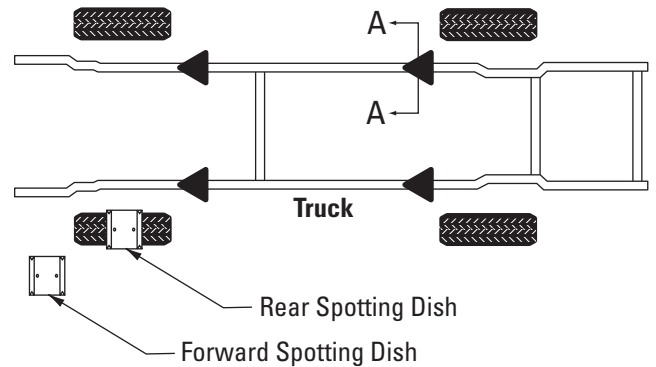


Fig. 3



RESIDUAL RISKS

- Check the condition of the pickup points of the vehicle. Assure these points are not weakened due to rust, corrosion, damage, or modification.
- Vehicles with heavy material in the trunk or modified to carry equipment or tools, will have a changed center of gravity. Use stands when working on such vehicles.
- Assure cargo does not cause either individual axle weight to exceed one half lift capacity.

OPERATOR INSPECTION & MAINTENANCE

MAINTENANCE AUTHORIZED BY OPERATOR

- **Always** keep bolts tight. Check periodically.
- **Always** assure arm stop bolts are in place.
- **Always** keep lift components clean.
- **Always**, if oil leakage is observed, call local service representative.
- **Daily:** Check cables and sheaves for wear. If parts are worn, call local service representative.
- **Daily:** Inspect adapters for damage or excessive wear. If parts are worn, call local service representative.
- **Daily:** Check for permanent deformation to the latches. If present, call local service representative to replace parts.
- **Monthly:** Check equalizer cable tension. If parts are worn, call local service representative.
- **Monthly:** Check overhead sensor for function.
- **Every 3 Months:** Check anchor bolts for tightness. Anchors should be torqued to 122Nm (12.4kg-m).
- **Every 6 months:** Check fluid level of lift power unit and refill to proper level in level indicator with lift fully lowered.
- Replace all decals on the lift if unable to read or missing. Reorder labels from Rotary Lift.
- **Monthly:** Clean and check base of lift. Remove any rust and touch-up with paint.

TROUBLE SHOOTING FOR OPERATORS

FOR M SERIES LIFTS

Trouble	Cause	Remedy
Motor does not run.	1. Blown fuse or circuit breaker.	1. Replace blown fuse or reset circuit breaker. 2. Contact service representative for further assistance.
Motor runs but will not raise lift.	1. Low oil level.	1. Fill tank to MIN___ mark with ISOVG32 hydraulic oil or Dexron III ATF. 2. Contact service representative for further assistance.
Motor runs—raises unloaded lift but will not raise vehicle.	1. Overloading lift.	1. Check vehicle weight and/or balance vehicle weight on lift. 2. Contact service representative for further assistance.
Lift slowly settles down.	See Remedy	1. Contact service representative for further assistance.
Slow lifting speed or oil blowing out filler breather cap.	See Remedy	1. Contact service representative for further assistance.
Lift going up unlevel.	See Remedy	1. Contact service representative for further assistance.
Anchors will not stay tight.	See Remedy	1. Contact service representative for further assistance.
Locking latches do not engage.	See Remedy	1. Contact service representative for further assistance.
Locking latches do not disengage.	See Remedy	1. Contact service representative for further assistance.

TROUBLE SHOOTING FOR OPERATORS FOR E SERIES LIFTS

button actuated but lift doesn't raise

Trouble	Cause	Remedy
Motor won't run.	<ol style="list-style-type: none"> 1. Overhead Sensor Actuated. 2. Up button not functioning. 3. Incorrect voltage to power unit. 	<ol style="list-style-type: none"> 1. Check sensor for contact with vehicle. 2. Check UP button on opposite column if neither UP button is functioning contact service representative for further assistance. 3. Contact service representative for further assistance.
Motor runs but will not raise lift.	<ol style="list-style-type: none"> 1. Overloading lift. 	<ol style="list-style-type: none"> 1. Check vehicle weight and/or balance the vehicle's weight on lift. 2. Contact service representative for further assistance
Locking latches do not engage.	<ol style="list-style-type: none"> 1. Broken latch spring. 	<ol style="list-style-type: none"> 1. Contact service representative for further assistance.

button actuated but lift doesn't lower

Trouble	Cause	Remedy
Lift won't lower.	<ol style="list-style-type: none"> 1. Down button not functioning. 2. Safety Latches won't release. 3. Lowering Valve not functioning. 	<ol style="list-style-type: none"> 1. Contact service representative for further assistance. 2. Contact service representative for further assistance. 3. Contact service representative for further assistance.

button actuated but lift doesn't lower

Trouble	Cause	Remedy
Lift won't lower.	<ol style="list-style-type: none"> 1. Down button not functioning. 2. Lowering Valve not functioning. 	<ol style="list-style-type: none"> 1. Contact service representative for further assistance. 2. Contact service representative for further assistance.

REPAIR MAINTENANCE

MAINTENANCE AUTHORIZED BY QUALIFIED SERVICE REPRESENTATIVE ONLY

- **Lockout** all energy sources before beginning any repairs.
- DO NOT modify the lift in any manner without the prior written consent of the manufacturer.
- If electrical problems develop, make repairs according to local electrical codes. Use genuine Rotary Lift parts when replacement is necessary.
- **Replace** worn parts as required with Rotary Genuine Parts.
- Adjust equalizer cable tension per lift installation instructions.
- **Monthly:** Lubricate locking latch shafts. Actuate latch release switch several times for oil to penetrate joints.
- **Monthly:** Clean and check base of lift. Remove any rust and touch-up with paint.

ANNUAL INSPECTION PERFORMED BY AUTHORIZED PERSONNEL ONLY

Aside from the routine checks that are stated under "Operator Maintenance", the following annual inspection is to be performed and a record of this inspection permanently retained on site. All deficiencies are to be corrected by the proper authorized personnel.

INSPECTION POINTS

- Check accessibility of the operating procedures.
- Check accessibility and readability of all labels.
- Check the rated load capacity of the lift.
- Examine all structural components including welds.
- Check electrical cords for insulation damage.
- Check fluid level.
- Check the lift controls for function.
- Check for proper function of swing arm restraints.
- Check all fastening devices for tightness including floor anchor bolts.
- Check exposed surfaces and edges.
- Operate the lift and check the operation of the positive stop and the lift safety latches.
- Check for proper operation of adapters.
- With a representative vehicle on the lift, check the lowering speed (not to exceed 0.15m/s).
- Check the operation of the synchronization or equalization system so that both sides raise and lower equally. Perform check with and without a vehicle representative load.
- Check the function of overhead sensor.
- Check all accessible piping, tubing, hose, valves and fittings. Review lift oil consumption records.
- Operate lift through full excursion and observe. Perform check with and without a vehicle representative load.
- With lift loaded, stop the lift at midpoint of travel and observe for drifting down and hydraulic leaks.
- Check with operator to ascertain any unusual operating characteristics.

TROUBLE SHOOTING

(FOR AUTHORIZED MAINTENANCE PERSONNEL)

Trouble	Cause	Remedy
Motor does not run.	<ol style="list-style-type: none"> 1. Incorrect voltage to motor. 2. Bad wiring connections. 3. Motor up switch burned out. 4. Overhead limit switch burned out. 5. Motor windings burned out. 	<ol style="list-style-type: none"> 1. Supply correct voltage to motor. 2. Repair and insulate all connections. 3. Replace switch. 4. Replace switch. 5. Replace motor.
Motor runs but will not raise lift.	<ol style="list-style-type: none"> 1. Open lowering valve. 2. Pump sucking air. 3. Suction tube off pump. 	<ol style="list-style-type: none"> 1. Repair or replace lowering valve. 2. Tighten all suction line fittings. 3. Replace suction tube.
Motor runs—raises unloaded lift but will not raise vehicle.	<ol style="list-style-type: none"> 1. Motor running on low voltage. 2. Debris in lowering valve. 3. Improper relief valve adjustment. 	<ol style="list-style-type: none"> 1. Supply correct voltage to motor. 2. Clean lowering valve. 3. Adjust relief valve.
Lift slowly settles down.	<ol style="list-style-type: none"> 1. Debris in check valve seat. 2. Debris in lowering valve seat. 3. External oil leaks. 	<ol style="list-style-type: none"> 1. Clean check valve. 2. Clean lowering valve. 3. Repair external leaks.
Slow lifting speed or oil blowing out filler breather cap.	<ol style="list-style-type: none"> 1. Air mixed with oil. 2. Air mixed with oil suction. 3. Oil return tube loose. 	<ol style="list-style-type: none"> 1. Change oil to Dexron III ATF or equivalent. 2. Tighten all suction line fittings. 3. Reinstall oil return tube.
Lift going up unlevel.	<ol style="list-style-type: none"> 1. Equalizer cables out of adjustment. 2. Lift installed on unlevel floor. 	<ol style="list-style-type: none"> 1. Adjust equalizer cables to correct tension. 2. Shim lift to level columns (Not to exceed 12.7mm). If over 12.7mm, break out floor and level per lift installation instructions.
Anchors will not stay tight.	<ol style="list-style-type: none"> 1. Holes drilled oversize. 2. Concrete floor thickness or holding strength not sufficient. 	<ol style="list-style-type: none"> 1. Relocate lift using a new bit to drill holes. 2. Break out old concrete and re-pour new pads for lift per lift installation instruction.
Locking latches do not engage.	<ol style="list-style-type: none"> 1. Latch shafts rusted. (Usually occurs on outside installations or in high humidity areas such as vehicle wash bays.) 2. Latch spring broken. 3. Air valve stuck open. 	<ol style="list-style-type: none"> 1. Remove covers, oil latch mechanism. Depress latch release toggle several times to allow oil to coat shaft. 2. Replace broken spring. 3. Cycle toggle, replace valve if necessary.
Locking latches do not disengage.	<ol style="list-style-type: none"> 1. No air supply. 2. Air valve stuck closed. 3. Air leak. 	<ol style="list-style-type: none"> 1. Check tubing and compressor. 2. Cycle toggle, replace valve if necessary. 3. Check tubing.
If lift stops short of full rise or chatters.	<ol style="list-style-type: none"> 1. Fluid level may be low. 	<ol style="list-style-type: none"> 1. Check fluid level and bleed both cylinders per lift installation instructions.

EQUALIZER CABLE ADJUSTMENT

Checking and Adjusting Equalizer Cables:

Raise lift to check equalizer cable tension. Below carriage, grasp adjacent cables between thumb and forefinger, with about 67N effort you should just pull the cables together. Adjust at upper tie-offs (Fig. 4).

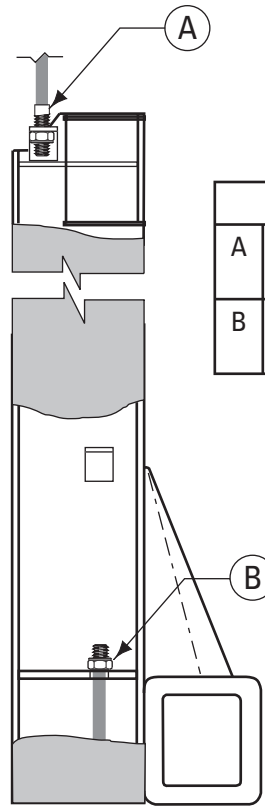
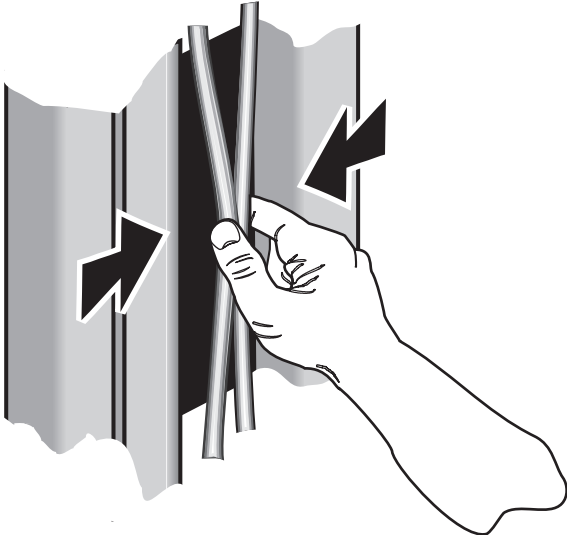


Fig. 4 Detail	
A	Upper cable tie off and 3/4" nylon insert lock nut.
B	Lower cable tie off and 3/4" nylon insert lock nut.

Fig. 4

MANUAL LOWERING OF LIFT FOR E SERIES LIFTS ONLY

If your lift is in a raised position and you lose power it is important to know how to lower the lift manually. Make sure nothing is under the lift and all unauthorized personnel are away from the lift area.

1. Remove access panel from the slave control panel. As you are facing the slave control panel look slightly down and to the left and you will see the air latch valve, Fig. 5.
2. Depress the button on the top of the air latch valve, Fig. 5. At this time you should hear the air leave the lift. **DO NOT** use a sharp object to depress the button.
3. Place a hydraulic jack and pipe under the slave control side Carriage. Jack should be rated to lift the capacity of the vehicle.
4. Raise lift off of the locking latch. You should only have to raise lift approximately 1/4" to disengage the lock.
5. Pull locking latch back. If you can't pull the locking latch back with your fingers then you don't have the latch off the lock. Repeat step 2 until lock is disengaged.
6. Place a flat piece of steel behind the locking latch to hold the latch open.
7. Slowly lower hydraulic jack and pipe out from under the carriage.
8. Repeat steps 3-7 on the master control side. The lift is now being held up by hydraulics at this point.
9. Remove cap from lowering valve and twist and pull to lower lift, Fig. 5. The lift will lower at a slow speed. Replace cap on lowering valve after lift has been lowered. Remove steel from behind locks and replace access panels.
10. If your facility lost power your lift will operate when you regain power.
11. If your facility power was not lost have a certified electrician check wiring to lift or call an authorized Rotary repair person.

Fig. 5 Detail	
A	Access Panel
B	Control Panel
C	Air Latch Valve
D	Air Latch Valve Button
E	Lowering Valve
F	Cap

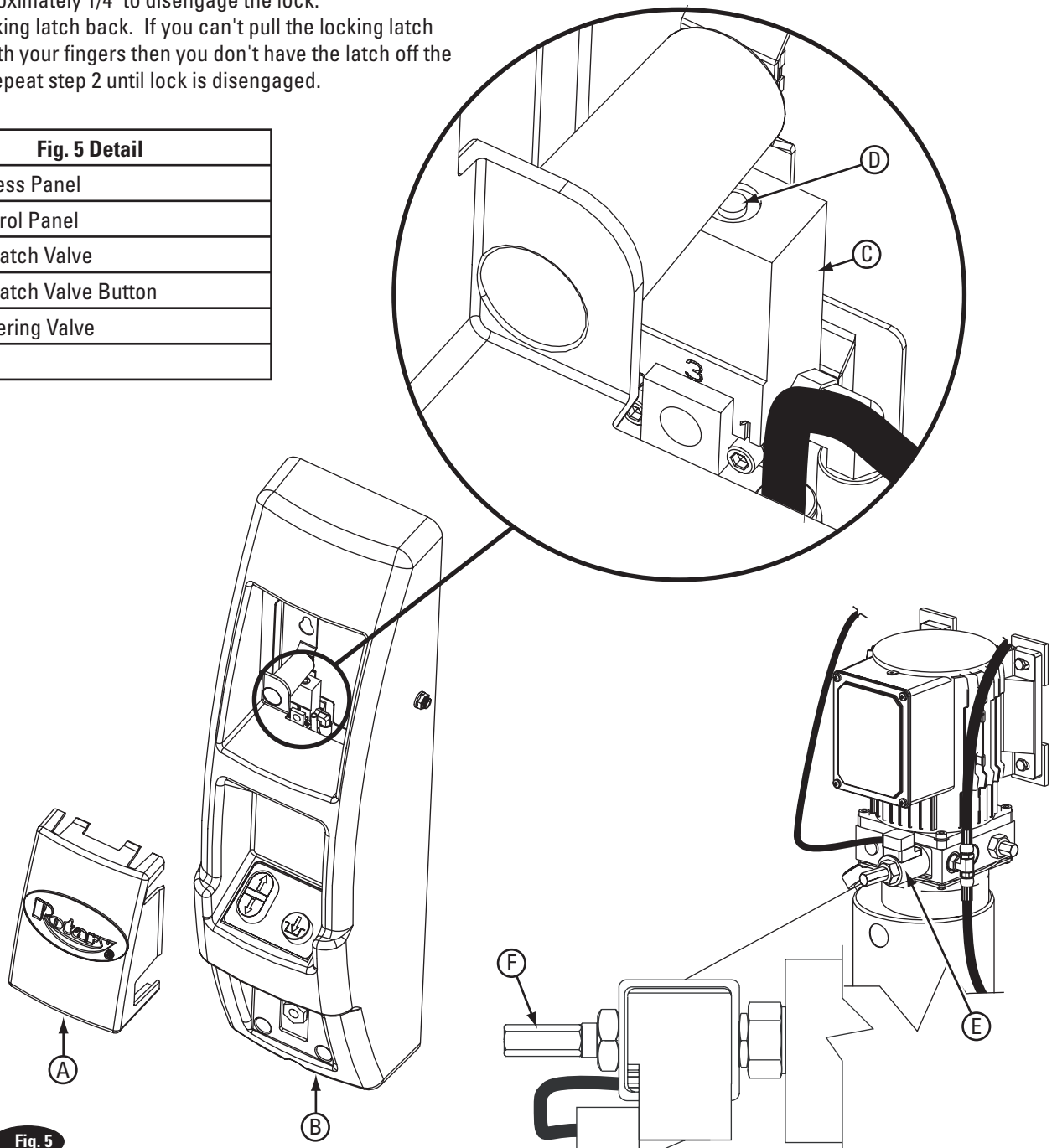


Fig. 5

THIS PAGE INTENTIONALLY LEFT BLANK

EG-Konformitätserklärung EC Declaration of Conformity

im Sinne der EG-Richtlinie 2006/42/EG über Maschinen (Anhang II A)
according to EC directive 2006/42/EC on machinery (Annex II A)

Name und Anschrift des Herstellers
Name and address of the manufacturer:

Rotary Lift
2700 Lanier Drive
Madison, IN, 47250 USA

**Name und Anschrift seines in der EU
niedergelassenen Bevollmächtigten**
his authorised representative in EU

BlitzRotary GmbH
Hüfing Str.55
78199 Bräunlingen, Germany

Diese Erklärung bezieht sich nur auf die Maschine in dem Zustand, in dem sie in Verkehr gebracht wurde; vom Endnutzer nachträglich angebrachte Teile und/oder nachträglich vorgenommene Eingriffe bleiben unberücksichtigt. Die Erklärung verliert ihre Gültigkeit, wenn das Produkt ohne Zustimmung umgebaut oder verändert wird.

This declaration relates exclusively to the machinery in the state in which it was placed on the market, and excludes components which are added and/or operations carried out subsequently by the final user. The declaration is no more valid, if the product is modified without agreement.

Hiermit erklären wir, dass die nachstehend beschriebene Maschine

Herewith we declare, that the machinery described below

Produktbezeichnung / product denomination:

Serien- / Typenbezeichnung / model / type:

**2-Säulen-Hebebühne / 2-post vehicle lift
SPO65**

Tragfähigkeit 6500 kg / capacity 6500 kg

Maschinen-/Seriennummer / machinery / serial number:

.....

Baujahr / Year of manufacture:

20...

allen einschlägigen Bestimmungen der Maschinenrichtlinie 2006/42/EG entspricht.

Die Maschine entspricht zusätzlich den Bestimmungen der Richtlinien 2004/108/EG über elektromagnetische Verträglichkeit 2006/95/EG und 2006/95/EG über elektrische Betriebsmittel EG (*Schutzziele wurden gemäß Anhang I, Nr. 1.5.1 der Maschinenrichtlinie 2006/42/EG eingehalten*).

is complying with all essential requirements of the Machinery Directive 2006/42/EC.

In addition the partly completed machinery is in conformity with the EC Directives 2004/108/EC relating to electromagnetic compatibility and 2006/95/EC relating to electrical equipment (Protection objectives have been met in accordance with Annex I No. 1.5.1 of the Machinery Directive 2006/42/EC).

Angewandte harmonisierte Normen / Harmonised Standards used

EN 1493:1998+A1:2008	Fahrzeug-Hebebühnen / Vehicle lifts
EN ISO 12100-1 : 2003	Sicherheit von Maschinen - Grundbegriffe / Safety of Machinery- Basic concepts
EN ISO 12100-2 : 2003	Sicherheit von Maschinen - Grundbegriffe / Safety of Machinery- Basic concepts
EN 60204-1:2006+7/2007	Elektrische Ausrüstung von Maschinen / Electrical equipment of machines
EN 349:1993+A1:2008	Sicherheit von Maschinen-Mindestabstände / Safety of machinery - Minimum gaps
EN ISO 13850:2008	Sicherheit von Maschinen-Not-Halt / Safety of machinery - Emergency stop
EN ISO 14121-1:2007	Sicherheit von Maschinen-Risikobeurteilung / Safety of machinery - Risk assessment

Angewandte sonstige technische Normen und Spezifikationen

Other technical standards and specifications used:

BGG 945	Prüfung von Hebebühnen / inspection of vehicle lifts
BGR 500	Betreiben von Arbeitsmitteln / management of working appliances
BGV A3	Unfallverhütungsvorschrift elektrische Anlagen und Betriebsmittel / law accident prevention regulation of electric facilities and equipment

Bevollmächtigter für die Zusammenstellung der relevanten technischen Unterlagen:

The person authorised to compile the relevant technical documentation:

Herr Pohl; Hüfing Str. 55; 78199 Bräunlingen

Ort / Place : Bräunlingen

Datum / Date : 21.12.2009



Carsten Rohde
Geschäftsführer / Managing Director

World Headquarters:
Rotary Lift
A  **DOVER** COMPANY
2700 Lanier Drive
Madison, Indiana USA
Phone: 1.800.445.5438
Phone: 1.812.273.1622
Fax: 1.800.578.5438
Fax: 1.812.273.6502
userlink@rotarylif.com
www.rotarylif.com

Germany:
(European Headquarters)
BlitzRotary GmbH
Bräunlingen
Phone: +49.0771.9233.0
Fax: +49.0771.9233.99
europe@rotarylif.com

Canada:
(Regional Sales Office)
Rotary Lift Canada
Mississauga, Ontario
Phone: 888.256.4195
Phone: 905.812.9920
Fax: 905.812.9719
canada@rotarylif.com

United Kingdom:
(Regional Sales Office)
Rotary Lift (UK) LTD.
Halstead, Essex
Phone: +44.178.747.7711
Fax: +44.178.747.7720
sales@rotarylif.idps.co.uk

Austral-Asia:
(Regional Sales Office)
Rotary Lift Austral/Asia
Petaling Jaya, Malaysia
Phone: +60.3.7660.0285
Fax: +60.3.7660.0289
rim@rotarylif.com

