

# **FOUR-POST LIFTS WITH LIFTING TABLE**

**SM40LT**



# SM40LT

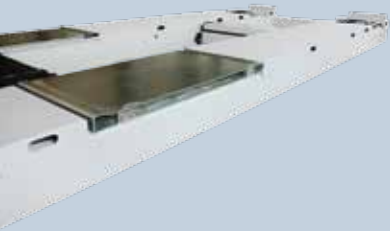
THE ELECTRO-HYDRAULIC FOUR-POST LIFTS OF THE SM SERIES ARE AVAILABLE IN NUMEROUS VERSIONS AND CAN BE TAILORED PERFECTLY TO FIT THE APPLICATION ENVIRONMENT. THE LT MODELS WITH OPTIONAL WHEEL-ALIGNMENT KIT ARE AVAILABLE FOR PRECISE AXLE MEASURING WORK.

## OPTIONS

Jacking beam, capacity 2600 kg



Wheel-alignment kit



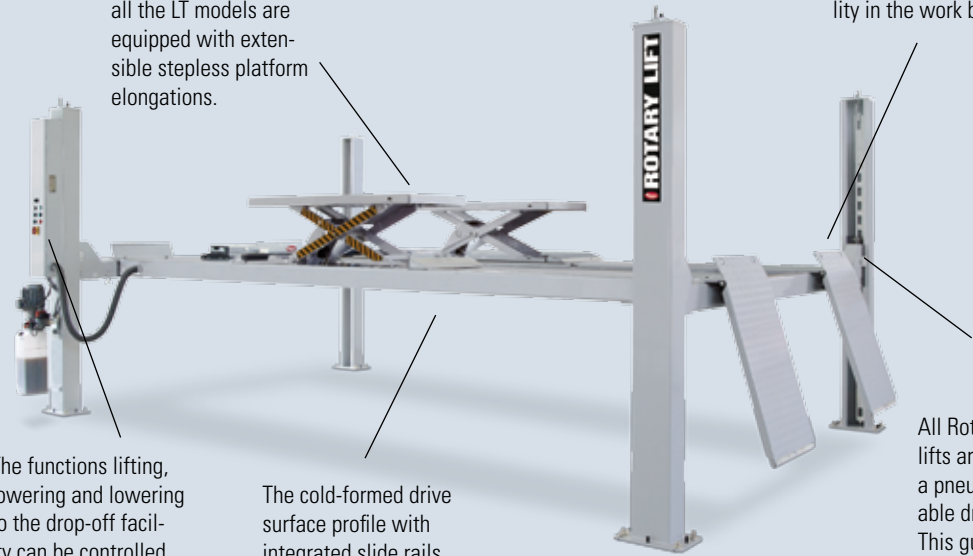
To facilitate flexible support of small as well as large vehicles, the lifting tables of all the LT models are equipped with extensible stepless platform elongations.

All models feature a movable right platform - for even more flexibility in the work bay.

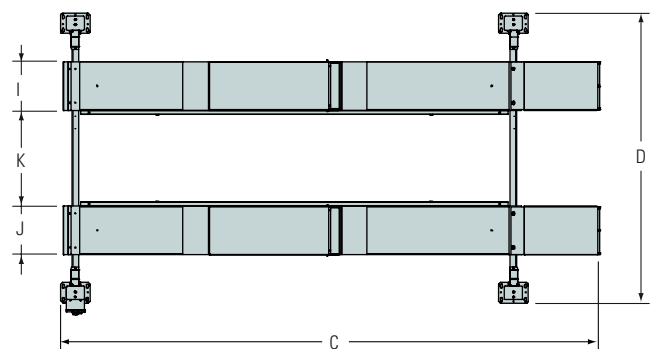
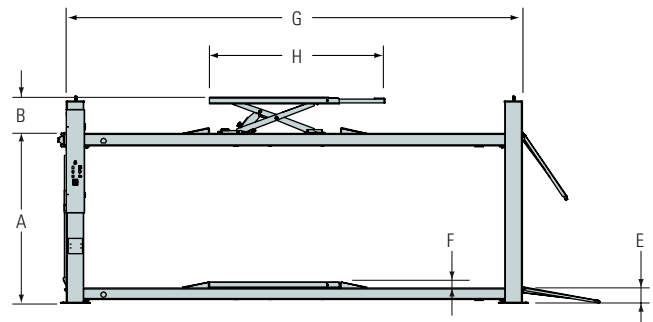
The functions lifting, lowering and lowering to the drop-off facility can be controlled conveniently via the operating controls.

The cold-formed drive surface profile with integrated slide rails increases the rigidity – not only when using jacking beams.

All Rotary four-post lifts are equipped with a pneumatically lockable drop-off facility. This guarantees exact axle measuring and a high degree of safety at the workplace.



Model:	SM40LT-47	SM40LT-51
Capacity/Lifting table	4000/3000 kg	4000/3000 kg
A. Stroke	1750 mm	1750 mm
B. Lifting table stroke	390 mm	390 mm
C. Overall length with drive on ramps	5788 mm	6188 mm
D. Overall width	3320 mm	3320 mm
E. Ascending height	175 mm	175 mm
F. Ascending height, lifting table	66 mm	66 mm
G. Platform length	4700 mm	5100 mm
H. Platform length, lifting table	1490-2000 mm	1490-2000 mm
I. Platform width	560 mm	560 mm
J. Platform width, lifting table	560 mm	560 mm
K. Platform spacing	800/950/1100 mm	800/950/1100 mm
Motor performance	3 kW	3 kW
Electrical connection (3 phases)	400 V, 50 Hz	400 V, 50 Hz
Compressed air connection	8-10	8-10
Lifting time	45 sec.	45 sec.
Lifting time, lifting table	10 sec.	10 sec.



BlitzRotary GmbH  
Hüfanger Straße 55  
D-78199 Bräunlingen  
A **DOVER** COMPANY

Fon +49.771.9233.0  
Fax +49.771.9233.99  
info@blitzrotary.com  
www.blitzrotary.com

USA: +1.812.273.1622 (Headquarter)  
Canada: +1.905.812.9920  
United Kingdom: +44.178.747.7711  
AustralAsia: +60.3.7660.0285

