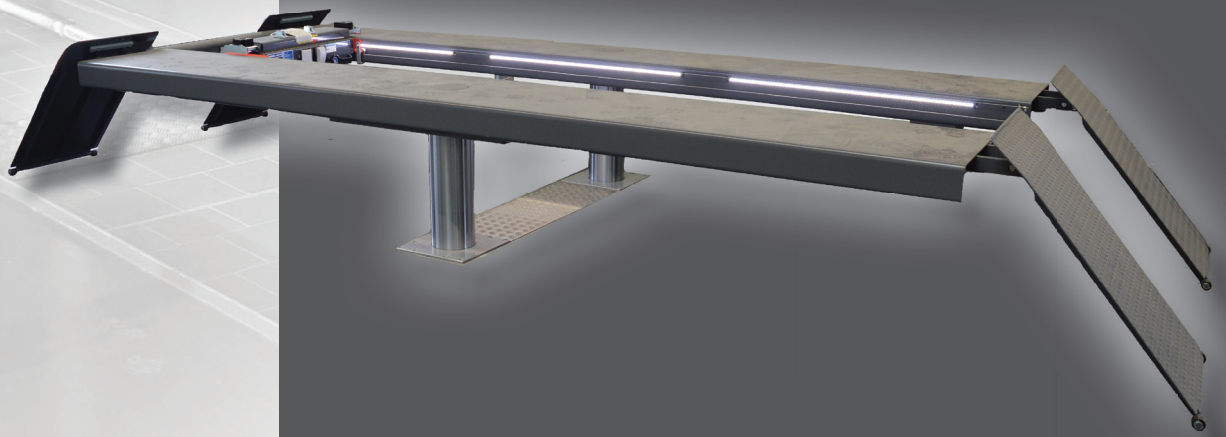


Safety, leading to the top!



autop Biglift 2.55 F 480

The Biglift 2.55 F 480 has been developed for a quick and easy lifting of commercial vehicles with very different wheel bases. With a lifting capacity of 5,5 t and a platform length of 4.8 m you can even lift up transporters of the newest generations.

The base of the construction is the hydraulic unit with two pairs of inversed and hard chromed cylinders. This new construction points out the following advantages:

- perfect stability
- safe lifting even in case of unfavorable load distribution
- low cost of installation – can be fitted into existing Biglift cassettes
- proven and extremely resistant chrome plated lifting cylinders
- space saving construction
- LED lighting for the vehicle underside
- Jacking beam also for transporter with different wheel bases
- Installation in on-floor and recessed in the floor possible

autop Maschinenbau GmbH

Sandkampstr. 90

D-48432 Rheine

Tel. ++49(0)5971/8602-02

Fax ++49(0)5971/8602-25

E-Mail: mail@autop.de

www.autop.de

...a company of the STENHØJ-group!


Professional lifting technology!

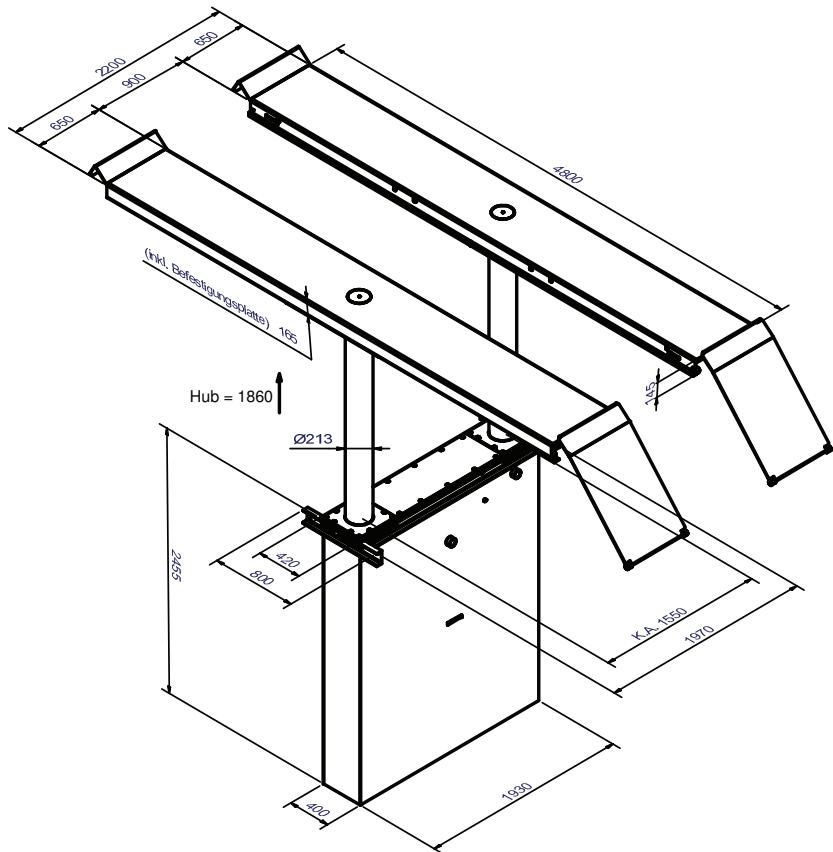
Biglift 2.55 F 480

Components

- two hard-chromed hydraulic cylinders
- corrosion-free guiding elements
- SPS - control unit
- pneumatic emergency drain
- flexible synchronizing and safety device
- installation in waterproof cassette
- use of „bio-oil“, non hazardous to water
- two on-floor platforms, drive-on flaps are available
- platforms with anti-sliding surface

Optional:

- jacking-beam
- LED lightning for the vehicle underside



Technical data

Capacity:	5,500	kg
Piston distance:	1,550	mm
Stroke length:	1,865	mm
Lifting height:		mm
Cylinders' diameter:	2 x 213	mm
Lifting/lowering time:	appr. 45	sec.
Pump unit:	3.0	kW
Foundation depth:	2,665	mm
Anschlusswerte:	230/400	V
	50	Hz
	16	A

Platform

Length:	4,800	mm
Width:	650	mm
Wheel-base, max.:	4,200	mm
Drive-over height:		mm

Jacking beam

Capacity:	2,600	kg
Lifting height:	250	mm
3-points lifting:	middle/790-1,460	mm
Function:	air-hydraulic	

Service:

Our expert consultants would appreciate to help you with the planning of a new garage or the modernization of an existing one. We offer to work out a workshop concept incl. an equipment proposal.

Please do not hesitate to contact us!

Standard colour:

RAL 7016 (grey anthracite)

on request

RAL 5019 (blue)

autop Maschinenbau GmbH

Sandkampstr. 90

D-48432 Rheine

Tel. ++49(0)5971/8602-02

Fax ++49(0)5971/8602-25

E-Mail: mail@autop.de

www.autop.de

...a company of the STENHØJ-group!



No liability accepted for specifications that are subject to alteration - validity 12/2015. The date and pictures in this product information are not binding and are only giving an approximate description. Moreover we reserve the right of differences between the goods delivered and the date and pictures given here (i.e. technical data, equipment, material and optical appearance) 1:50 for as the differences are responsible for the customer and a possible reduction in value of the goods delivered is not considerable.

